

- **Medical Equipment**
- **Surgical instruments**

Brust und Lungenchirurgie

DE	Brust und lungenchirurgie
EN	Thoracic and Lung Surgery
ES	Cirugia torácicos y pulmanor
AR	جراحة الرئة

G36

PAGE 001 to 031



DE Knochen-und Rippenscheren

EN Bone and Rib Shears

ES Cizallas para huesos

AR المقص العظم و الضلع



COLLIN
G36.0010.19 19.0cm



STILLE
G36.0020.21 21.0cm



GLUCK
G36.0030.19 19.0cm
G36.0030.22 22.0cm



G36.0040.20 20.0cm
G36.0040.23 23.0cm



G36.0050.22 22.0cm



G36.0060.17 17.0cm

G36.0060.17 **G36-001**



Rippenscheren, Sternumschere, Sternummeißel DE

Rib Shears, Sternum Scissors, Sternum Chisel EN

Costotomos, tijera de esternon, cincel de esternon ES

المقص الأضلاع، عظم القص مقص، الإزميل عظم القص AR



G36-002 G36.0120.26



DE Knochen-und Rippenscheren

EN Bone and Rib Shears

ES Cizallas para huesos

AR المقص العظم و الضلع



G36.0132.35 35.0cm

CORYLLOS
G36.0130.35 35.0cm

BETHUNE
G36.0140.34 34.0cm

DOYEN
G36.0150.19 19.0cm

Knochen-und Rippenscheren DE

Bone and Rib Shears EN

Cizallas para huesos ES

المقص العظم و الضلع AR



BETHUNE-NELSON
G36.0160.34 34.0cm
with probe ended blades



ROBERTS
G36.0170.34 34.0cm
with angular probe ended blades



ROBERTS
G36.0180.34 34.0cm
with angular probe ended
blades of first and second ribs

G36-004 G36.0180.34

DE Knochen-und Rippenscheren

EN Bone and Rib Shears

ES Cizallas para huesos

AR المقص العظم و الضلع



SCHUMACHER
G36.0190.20 20.0cm



TUDOR EDWARDS
G36.0200.23 23.0cm



G36

Rippensperrer DE

Rib Spreaders EN

Separadores ES

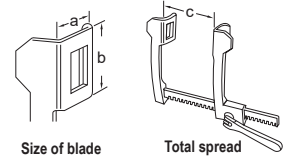
فارشة الضلع AR



CASTAÑEDA

S/S	ALU	a	b	c
G36.0300.01	G36.7300.01	10.5mm	32mm	65mm
G36.0300.02	G36.7300.02	16mm	30mm	65mm

Scheme of dimensions



CASTAÑEDA

S/S	ALU	a	b	c
G36.0302.01	G36.7302.01	12mm	45mm	70mm



CASTAÑEDA

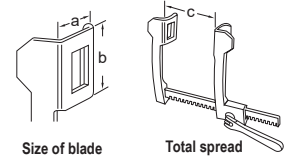
S/S	ALU	a	b	c
G36.0304.01	G36.7304.01	15mm	60mm	120mm

G36-006 G36.7304.01



DE Rippensperrer
EN Rib Spreaders
ES Separadores
AR المقص الضلع

Scheme of dimensions



COOLEY

S/S	ALU	a	b	c
G36.0310.01	G36.7310.01	12mm	16mm	95mm
G36.0310.02	G36.7310.02	12mm	17mm	75mm
G36.0310.03	G36.7310.03	14mm	16mm	85mm



COOLEY

S/S	ALU	a	b	c
G36.0312.01	G36.7312.01	15mm	30mm	115mm
G36.0312.02	G36.7312.02	15mm	30mm	140mm
G36.0312.03	G36.7312.03	16mm	30mm	105mm
G36.0312.04	G36.7312.04	20mm	45mm	140mm
G36.0312.05	G36.7312.05	21mm	44mm	150mm
G36.0312.06	G36.7312.06	30mm	35mm	140mm



COOLEY

S/S	ALU	a	b	c
G36.0314.01	G36.7314.01	30mm	50mm	185mm
G36.0314.02	G36.7314.02	35mm	50mm	200mm
G36.0314.03	G36.7314.03	37mm	49mm	200mm

G36.7314.03 G36-007



G36

Rippensperrer DE

Rib Spreaders EN

Separadores ES

فارشة الضلع AR

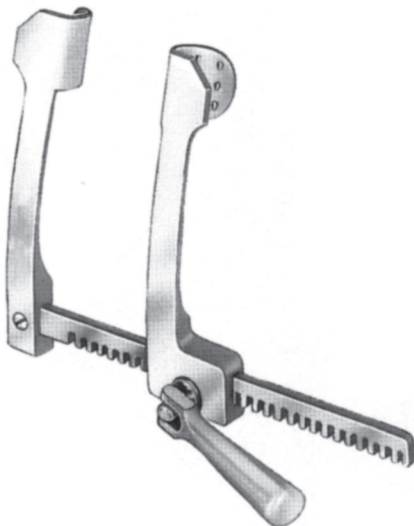
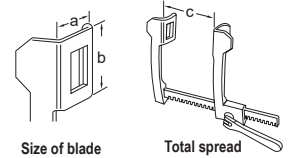


COOLEY

for neonatal

S/S	ALU	a	b	c
G36.0320.01	G36.7320.01	12mm	15mm	70mm

Scheme of dimensions



COOLEY

infant, sternal spreader

S/S	ALU	a	b	c
G36.0322.01	G36.7322.01	15mm	20mm	100mm



COOLEY

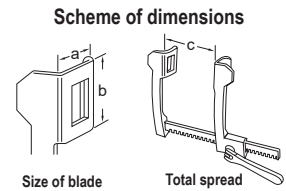
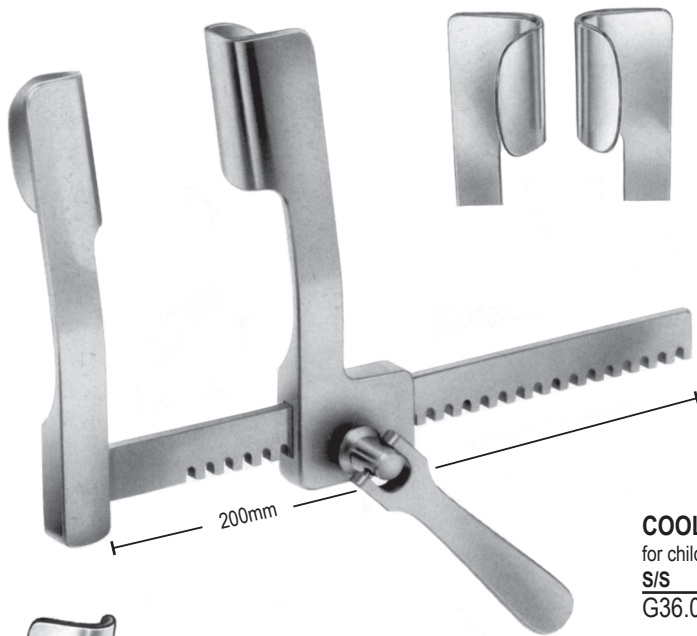
for babies

S/S	ALU	a	b	c
G36.0330.01	G36.7330.01	20mm	25mm	80mm

G36-008 G36.7330.01



DE Rippensperrer
EN Rib Spreaders
ES Separadores
AR فارشة الضلع



COOLEY

for children

S/S	ALU	a	b	c
G36.0340.01	G36.7340.01	21mm	45mm	145mm

for adult

G36.0340.02	G36.7340.02	32mm	50mm	190mm
-------------	-------------	------	------	-------



COOLEY

for children

S/S	ALU	a	b	c
G36.0350.01	G36.7350.01	35mm	100mm	180mm

for adult

G36.0350.02	G36.7350.02	35mm	115mm	230mm
-------------	-------------	------	-------	-------



COOLEY

for adults with suture separator

S/S	ALU	a	b	c
G36.0360.01	G36.7360.01	35mm	100mm	180mm

G36.7360.01 **G36-009**



G36

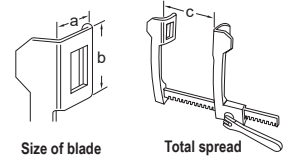
Rippensperrer DE

Rib Spreaders EN

Separadores ES

فارشة الضلع AR

Scheme of dimensions



H-COOLEY

with swivel convex blades, for babies

S/S	ALU	a	b	c
G36.0370.01	G36.7370.01	10mm	15mm	90mm



H-COOLEY

with swivel blades, for babies

S/S	ALU	a	b	c
G36.0370.02	G36.7370.02	10mm	15mm	90mm

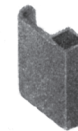


S/S blades only

G36.0380.01
10x10mm



G36.0380.02
10x15mm



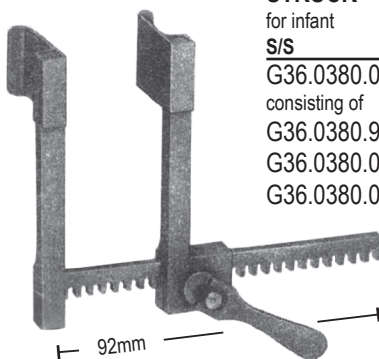
G36.0380.03
10x20mm



G36.0380.04
15x20mm



G36.0380.05
20x20mm



STRUCK

for infant

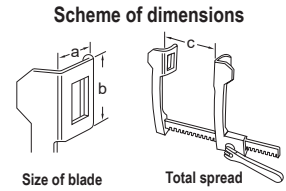
S/S	ALU	
G36.0380.00	G36.7380.00	
consisting of		
G36.0380.90	G36.7380.90	spreader only
G36.0380.04	G36.7380.04	1 pair
G36.0380.05	G36.7380.05	1 pair

92mm

G36-010 G36.7380.05



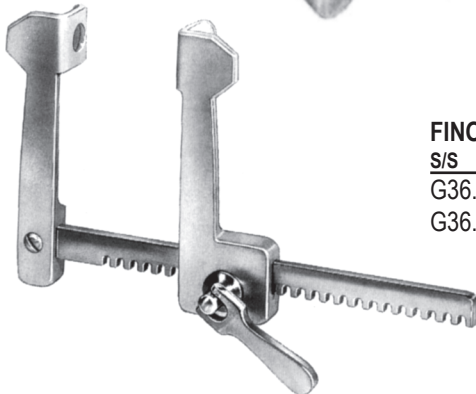
DE Rippensperrer
EN Rib Spreaders
ES Separadores
AR فارشة الضلع



WEINBERG

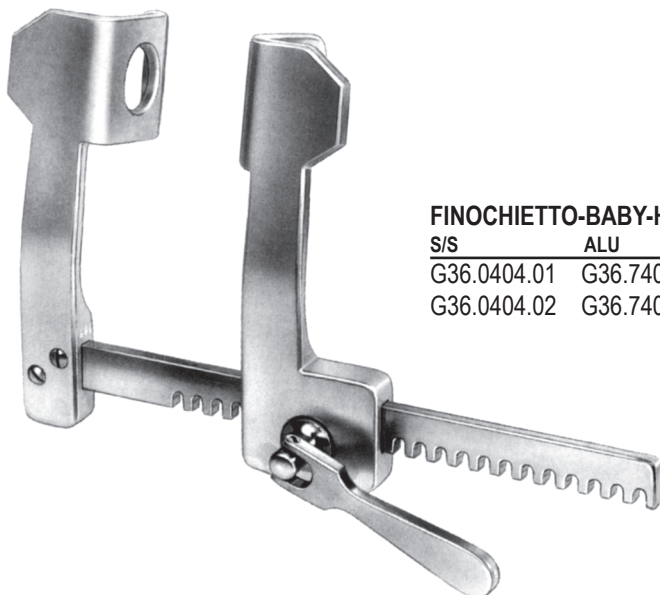
for children

S/S	ALU	a	b	c
G36.0390.01	G36.7390.01	12mm	20mm	95mm



FINOCHIETTO-INFANT

S/S	ALU	a	b	c
G36.0400.01	G36.7400.01	12mm	15mm	70mm
G36.0400.02	G36.7400.02	15mm	15mm	75mm



FINOCHIETTO-BABY-HAIGHT

S/S	ALU	a	b	c
G36.0404.01	G36.7404.01	27mm	30mm	95mm
G36.0404.02	G36.7404.02	31mm	31mm	100mm

G36.7404.02 **G36-011**



G36

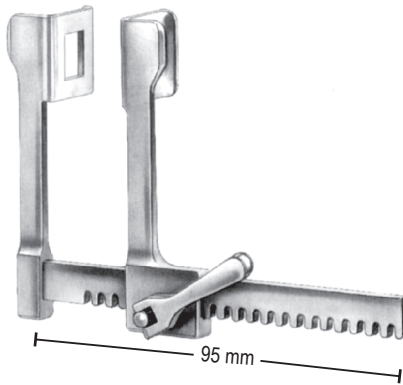
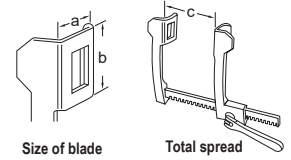
Rippensperrer DE

Rib Spreaders EN

Separadores ES

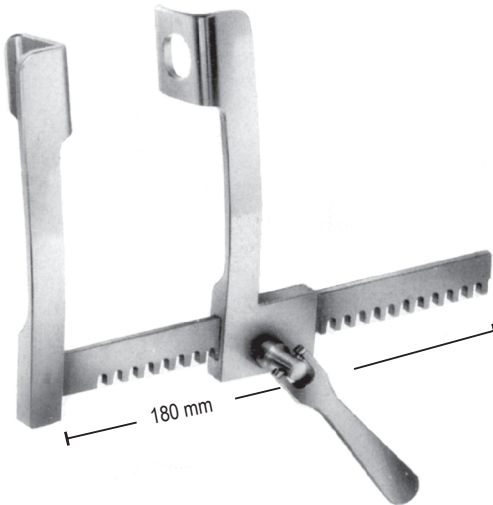
فارشة الضلع AR

Scheme of dimensions



FINOCHIETTO-BABY

S/S	ALU	a	b	c
G36.0410.01	G36.7410.01	14mm	15mm	75mm
G36.0410.02	G36.7410.02	18mm	20mm	75mm



S/S	ALU	a	b	c
G36.0420.01	G36.7420.01	28mm	32mm	120mm



FINOCHIETTO

S/S	ALU	a	b	c
G36.0430.01	G36.7430.01	12mm	15mm	100mm
G36.0430.02	G36.7430.02	28mm	30mm	143mm
G36.0430.03	G36.7430.03	31mm	45mm	210mm
G36.0430.04	G36.7430.04	42mm	61mm	245mm
G36.0430.05	G36.7430.05	74mm	64mm	245mm

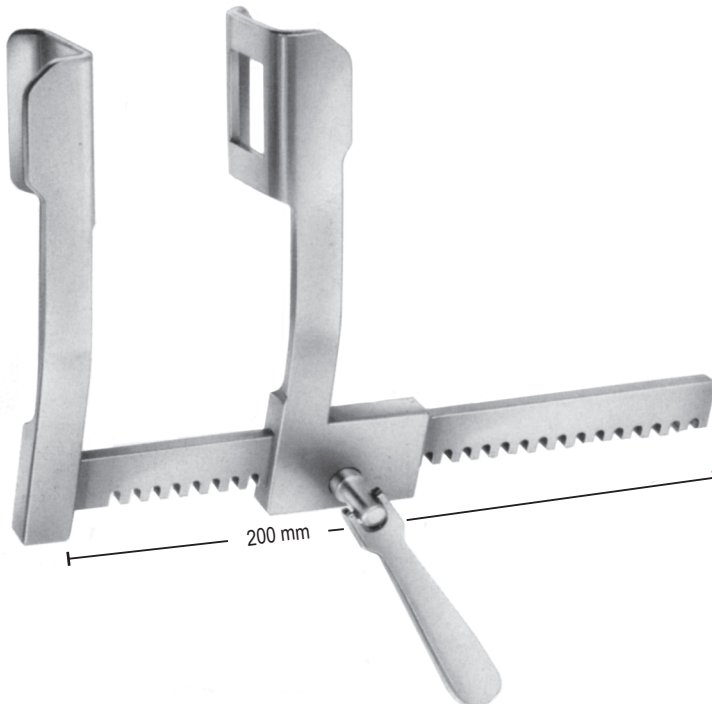
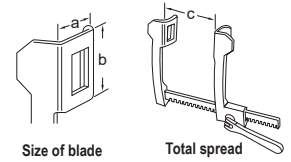
G36-012 G36.7430.05



G36

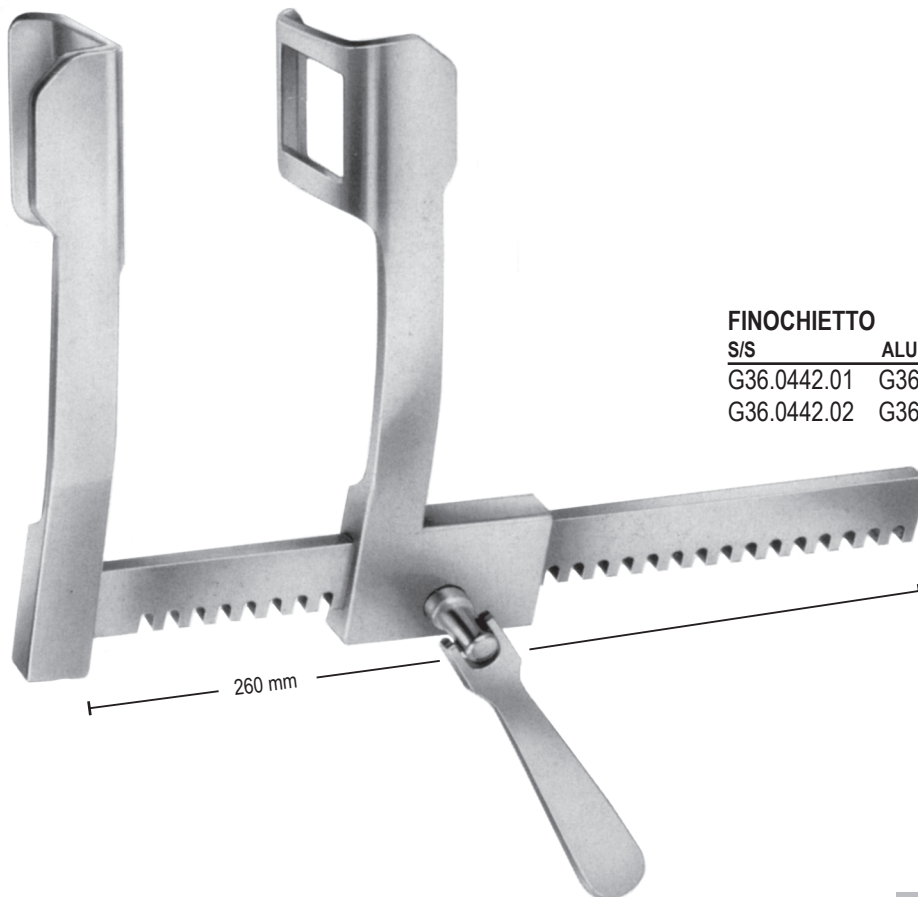
- DE Rippensperrer
- EN Rib Spreaders
- ES Separadores
- AR فارشة الضلع

Scheme of dimensions



FINOCHIETTO

S/S	ALU	a	b	c
G36.0440.01	G36.7440.01	36mm	45mm	140mm



FINOCHIETTO

S/S	ALU	a	b	c
G36.0442.01	G36.7442.01	44mm	65mm	210mm
G36.0442.02	G36.7442.02	65mm	65mm	210mm

G36.7442.02 **G36-013**



G36

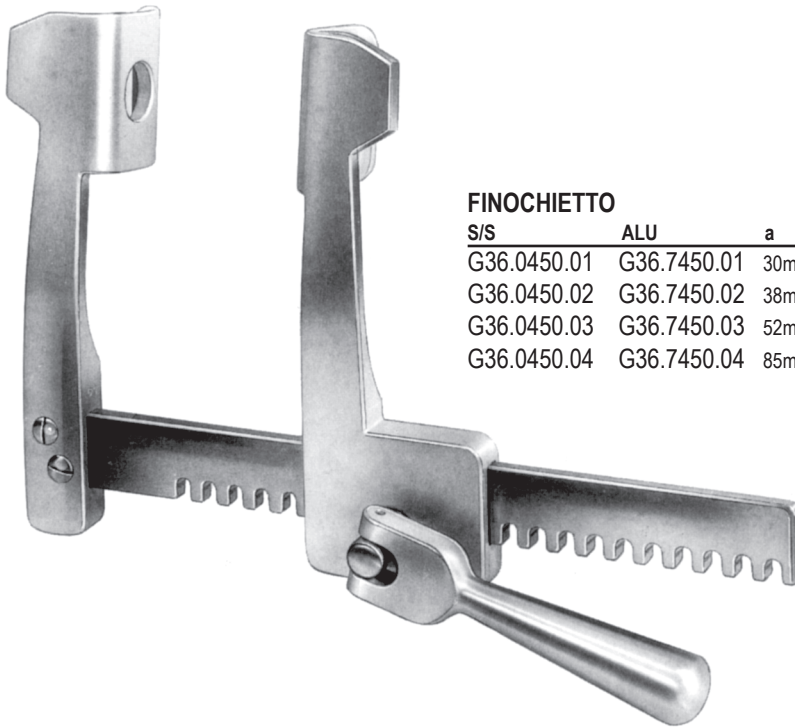
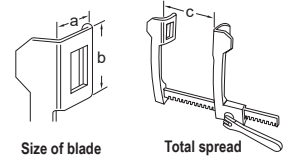
Rippensperrer DE

Rib Spreaders EN

Separadores ES

فارشة الضلع AR

Scheme of dimensions



FINOCHIETTO

S/S	ALU	a	b	c
G36.0450.01	G36.7450.01	30mm	45mm	140mm
G36.0450.02	G36.7450.02	38mm	44mm	135mm
G36.0450.03	G36.7450.03	52mm	62mm	175mm
G36.0450.04	G36.7450.04	85mm	85mm	175mm



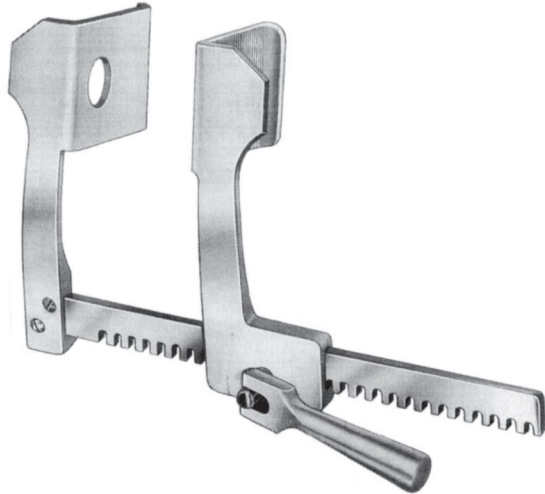
FINOCHIETTO

S/S	ALU	a	b	c
G36.0460.01	G36.7460.01	40mm	40mm	165mm
G36.0460.02	G36.7460.02	45mm	65mm	200mm
G36.0460.03	G36.7460.03	75mm	65mm	250mm

G36-014 G36.7460.03



DE Rippensperrer
EN Rib Spreaders
ES Separadores
AR فارشة الضلع



FINOCHIETTO

for adults

S/S	ALU	a	b	c
G36.0470.01	G36.7470.01	52mm	62mm	175mm
G36.0470.02	G36.7470.02	85mm	65mm	175mm



FINOCHIETTO

for adults, with suture separator

S/S	ALU	a	b	c
G36.0472.01	G36.7472.01	85mm	65mm	175mm

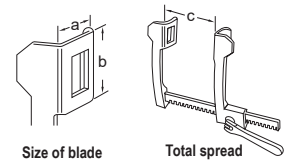


FINOCHIETTO

for adults, with 2 blades attached to each arm

S/S	ALU	a	b	c
G36.0480.01	G36.7480.01	10mm	15mm	120mm
G36.0480.02	G36.7480.02	14mm	14mm	120mm
G36.0480.03	G36.7480.03	14mm	20mm	120mm

Scheme of dimensions

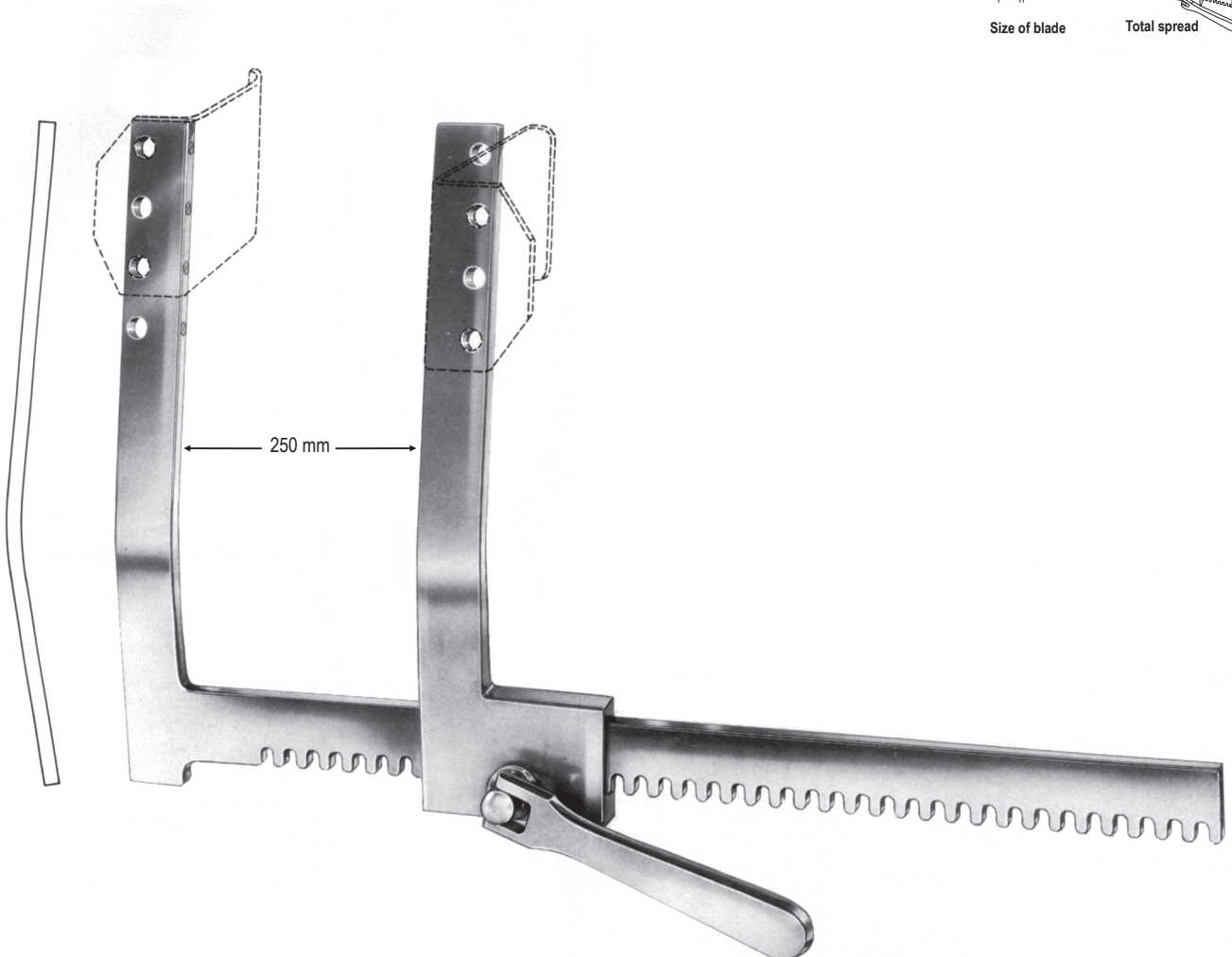
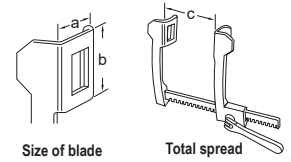


Size of blade

Total spread



Scheme of dimensions



FINOCHIETTO

3 pairs of exchangeable blades

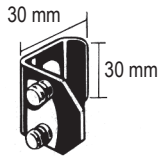
S/S	ALU
G36.0490.00	G36.7490.00
blades	
G36.0490.30	G36.7490.30
G36.0490.40	G36.7490.40
G36.0490.50	G36.7490.50
frame only 150mm	
G36.0490.01	G36.7490.01

S/S	ALU
G36.0491.00	G36.7491.00
blades	
G36.0491.40	G36.7491.40
G36.0491.50	G36.7491.50
G36.0491.60	G36.7491.60
frame only 250mm	
G36.0491.01	G36.7491.01

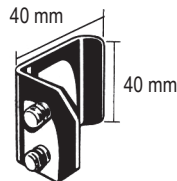
G36-016 G36.7491.01



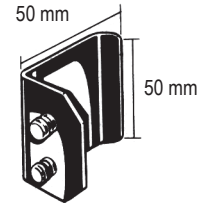
DE **Wechselven**
 EN **Interchangeable Blades**
 ES **valves intercambiables**
 AR **شفرات قابلة للتبديل**



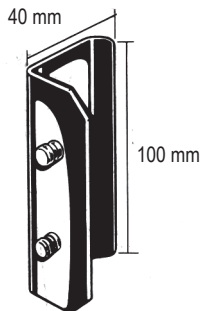
S/S Alu
 G36.0490.30 G36.7490.30
 30x30mm



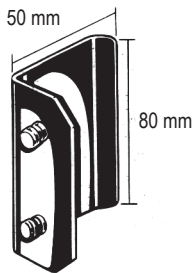
S/S Alu
 G36.0490.40 G36.7490.40
 40x40mm



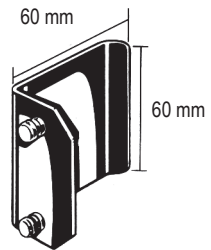
S/S Alu
 G36.0490.50 G36.7490.50
 50x50mm



S/S Alu
 G36.0491.40 G36.7491.40
 40x100mm

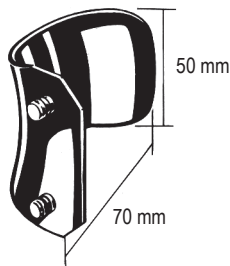


S/S Alu
 G36.0491.50 G36.7491.50
 50x80mm

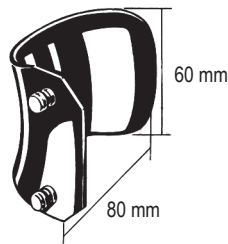


S/S Alu
 G36.0491.60 G36.7491.60
 60x60mm

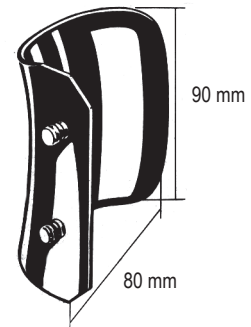
Optional Exchangeable Blades



S/S Alu
 G36.0491.70 G36.7491.70
 70x50mm



S/S Alu
 G36.0491.80 G36.7491.80
 80x60mm



S/S Alu
 G36.0491.90 G36.7491.90
 80x90mm

G36.7491.90 **G36-017**



G36

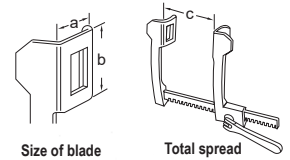
Rippensperrer DE

Rib Spreaders EN

Separadores ES

فارشة الضلع AR

Scheme of dimensions



BURFORD

for children
with 2 pairs of blades

S/S	ALU	a	b	c
G36.0500.01	G36.7500.01	30mm 41mm	42mm 42mm	130mm
G36.0500.02	G36.7500.02	34mm 48mm	42mm 42mm	135mm



BURFORD

for adults
with 2 pairs of blades

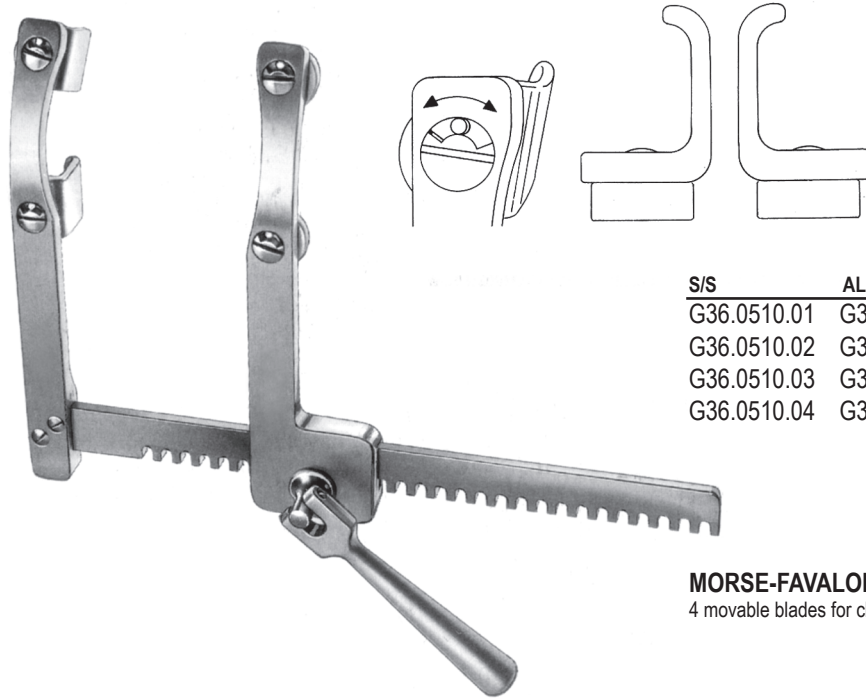
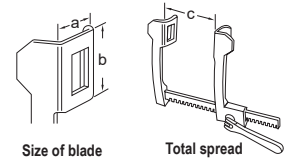
S/S	ALU	a	b	c
G36.0502.01	G36.7502.01	47mm 65mm	62mm 62mm	200mm
G36.0502.02	G36.7502.02	47mm 65mm	62mm 62mm	260mm
G36.0502.03	G36.7502.03	47mm 65mm	62mm 62mm	300mm

G36-018 G36.7502.03



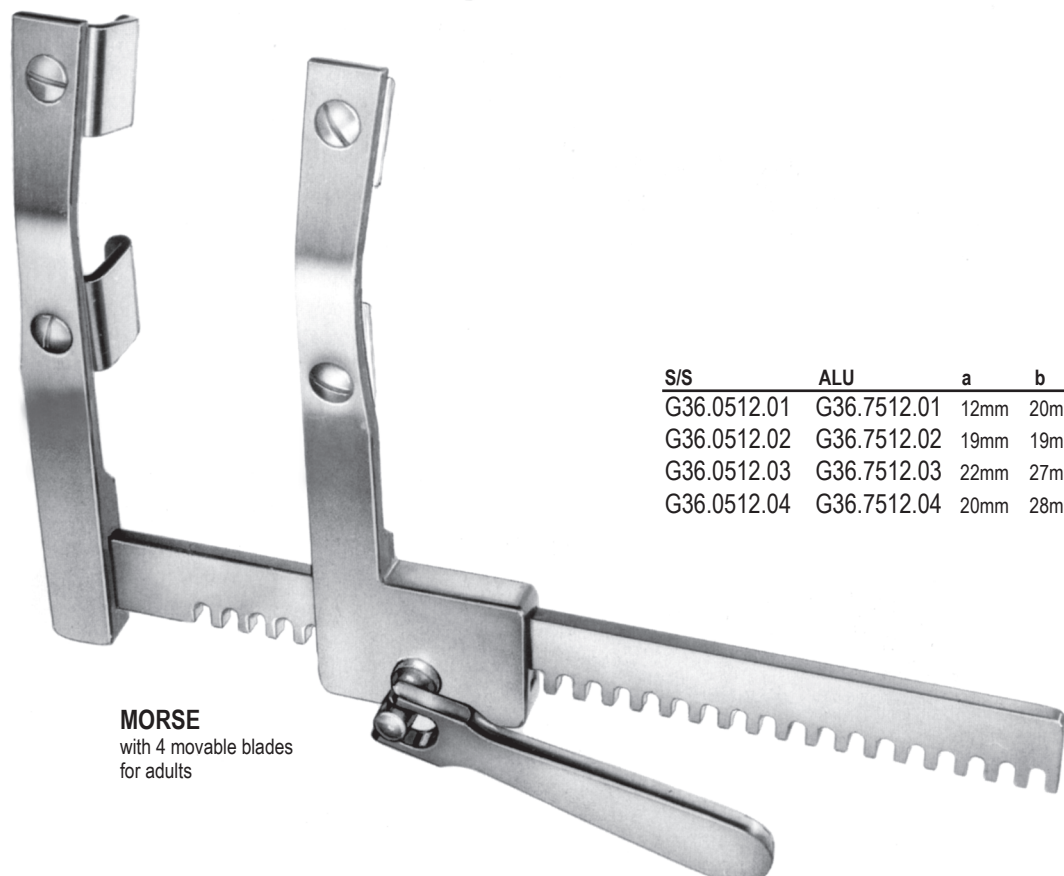
DE Rippensperrer
EN Rib Spreaders
ES Separadores
AR فارشة الضلع

Scheme of dimensions



S/S	ALU	a	b	c
G36.0510.01	G36.7510.01	12mm	20mm	155mm
G36.0510.02	G36.7510.02	20mm	20mm	155mm
G36.0510.03	G36.7510.03	40mm	20mm	155mm
G36.0510.04	G36.7510.04	17mm	22mm	160mm

MORSE-FAVALORO
4 movable blades for children



S/S	ALU	a	b	c
G36.0512.01	G36.7512.01	12mm	20mm	200mm
G36.0512.02	G36.7512.02	19mm	19mm	200mm
G36.0512.03	G36.7512.03	22mm	27mm	200mm
G36.0512.04	G36.7512.04	20mm	28mm	210mm

MORSE
with 4 movable blades
for adults

G36.7512.04 **G36-019**



G36

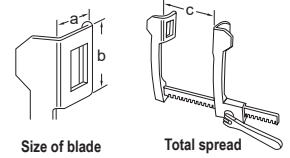
Rippensperrer DE

Rib Spreaders EN

Separadores ES

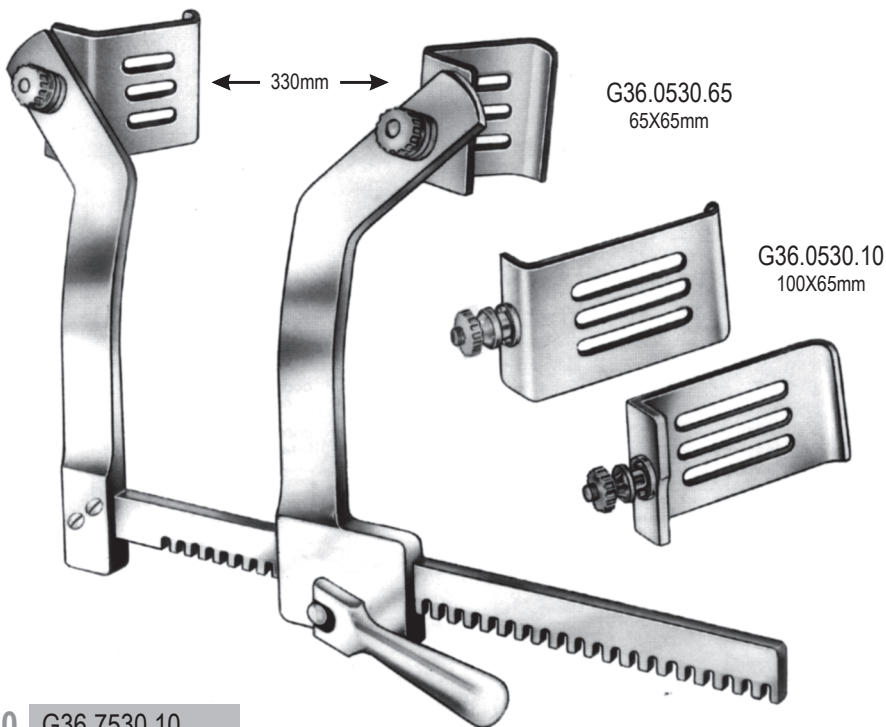
فارشة الضلع AR

Scheme of dimensions



MORSE STERNAL

S/S	ALU	a	b	c
G36.0520.01	G36.7520.01	30mm	35mm	200mm



G36.0530.65
65X65mm

G36.0530.10
100X65mm

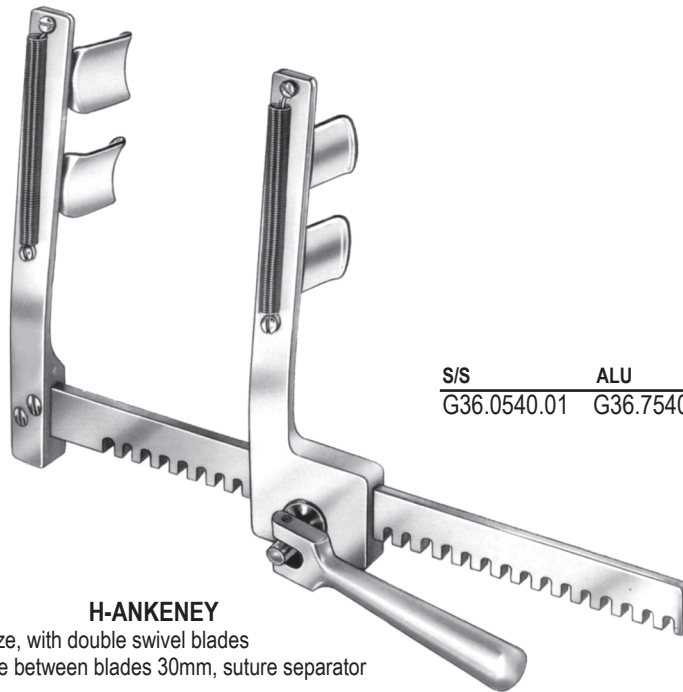
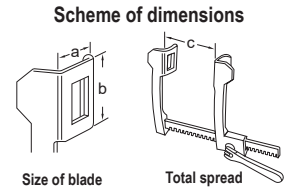
BRAASTAD

S/S	ALU
G36.0530.01	G36.7530.01
with 2 pairs of blades	
G36.0530.65	G36.7530.65
G36.0530.10	G36.7530.10

G36-020 G36.7530.10

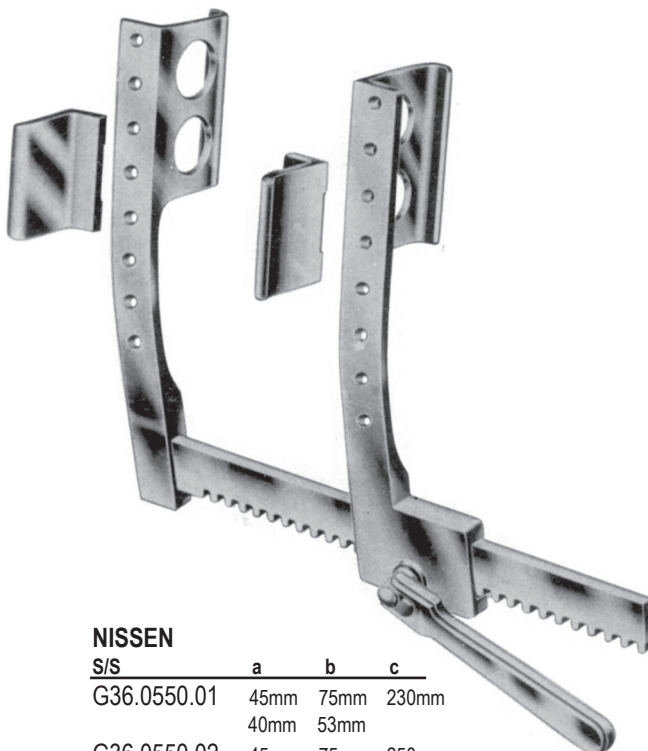


DE Rippensperrer
 EN Rib Spreaders
 ES Separadores
 AR فارشة الضلع

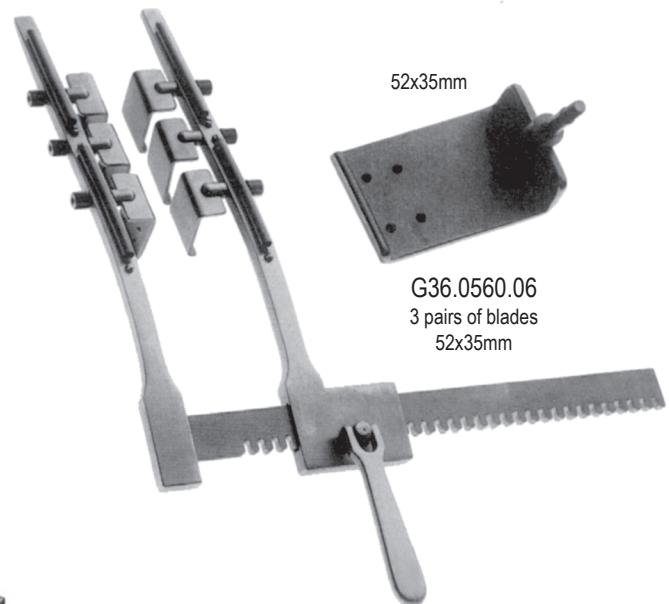


S/S	ALU	a	b	c
G36.0540.01	G36.7540.01	20mm	20mm	160mm

H-ANKENEY
 child size, with double swivel blades
 distance between blades 30mm, suture separator



NISSEN	a	b	c
G36.0550.01	45mm	75mm	230mm
	40mm	53mm	
G36.0550.02	45mm	75mm	250mm
	40mm	53mm	



ANKENEY	a	b	c
G36.0560.01	52mm	35mm	178mm

G36.0560.06 **G36-021**



G36

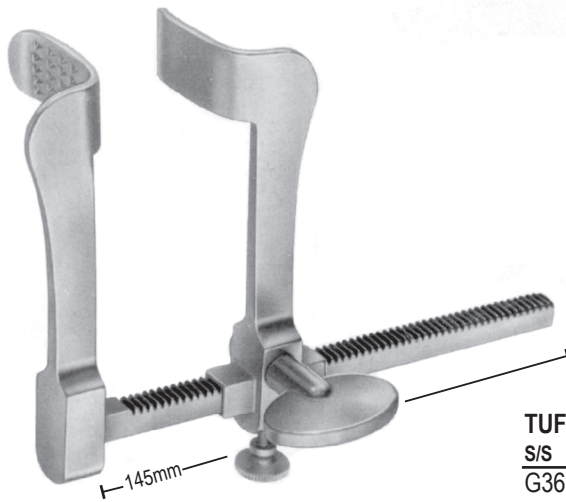
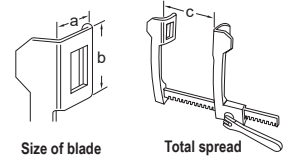
Rippensperrer DE

Rib Spreaders EN

Separadores ES

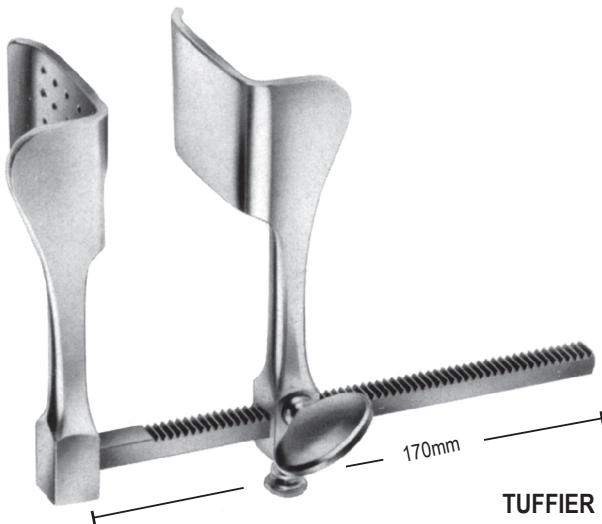
فارشة الضلع AR

Scheme of dimensions



TUFFIER

S/S	a	b	c
G36.0570.14	32mm	19mm	110mm



TUFFIER

S/S	a	b	c
G36.0572.17	43mm	53mm	130mm



TUFFIER

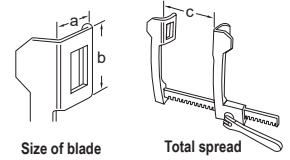
S/S	a	b	c
G36.0574.16	50mm	45mm	165mm

G36-022 G36.0574.16



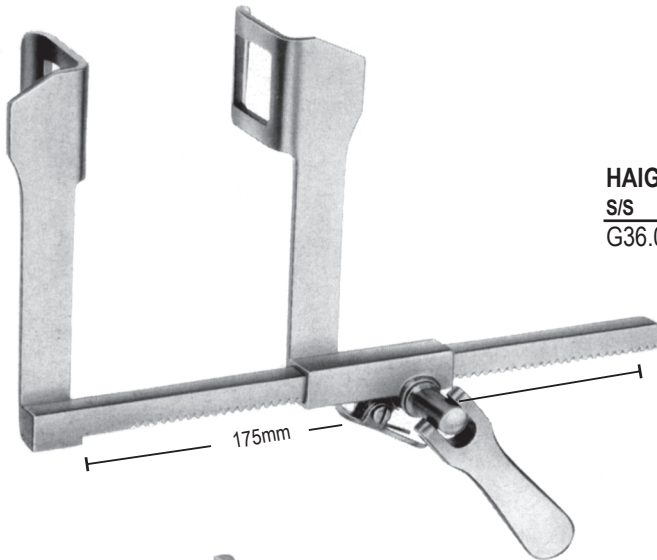
DE Rippensperrer
EN Rib Spreaders
ES Separadores
AR فارشة الضلع

Scheme of dimensions



HAIGHT

S/S	a	b	c
G36.0580.14	30mm	30mm	90mm



HAIGHT

S/S	a	b	c
G36.0582.15	30mm	30mm	115mm



HERTZLER

S/S	a	b	c
G36.0590.15	20mm	25mm	105mm

G36.0590.15 G36-023



G36

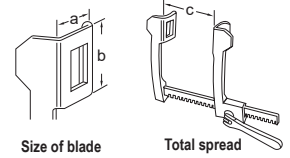
Rippensperrer DE

Rib Spreaders EN

Separadores ES

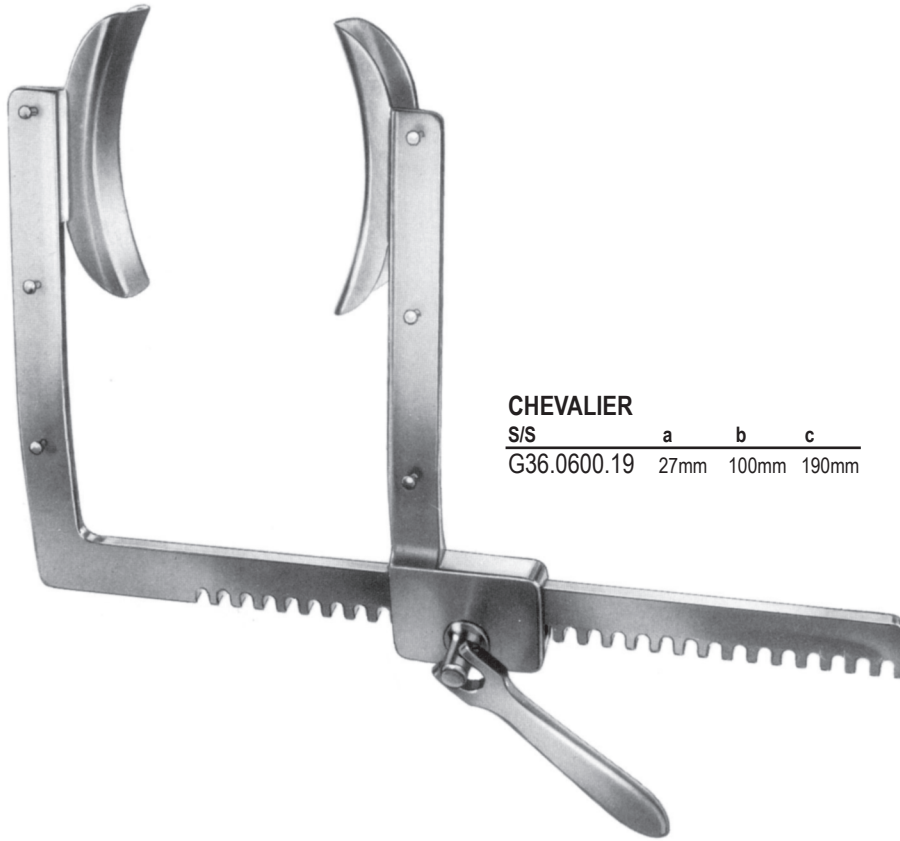
فارشة الضلع AR

Scheme of dimensions



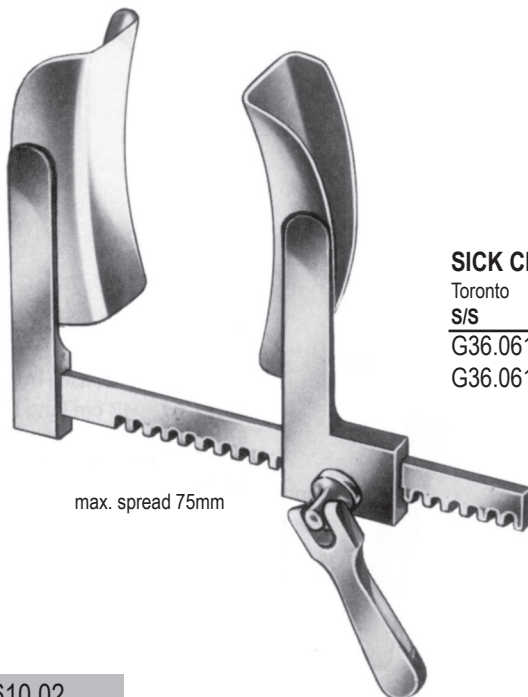
Size of blade

Total spread



CHEVALIER

S/S	a	b	c
G36.0600.19	27mm	100mm	190mm



max. spread 75mm

SICK CHILDREN HOSPITAL

Toronto

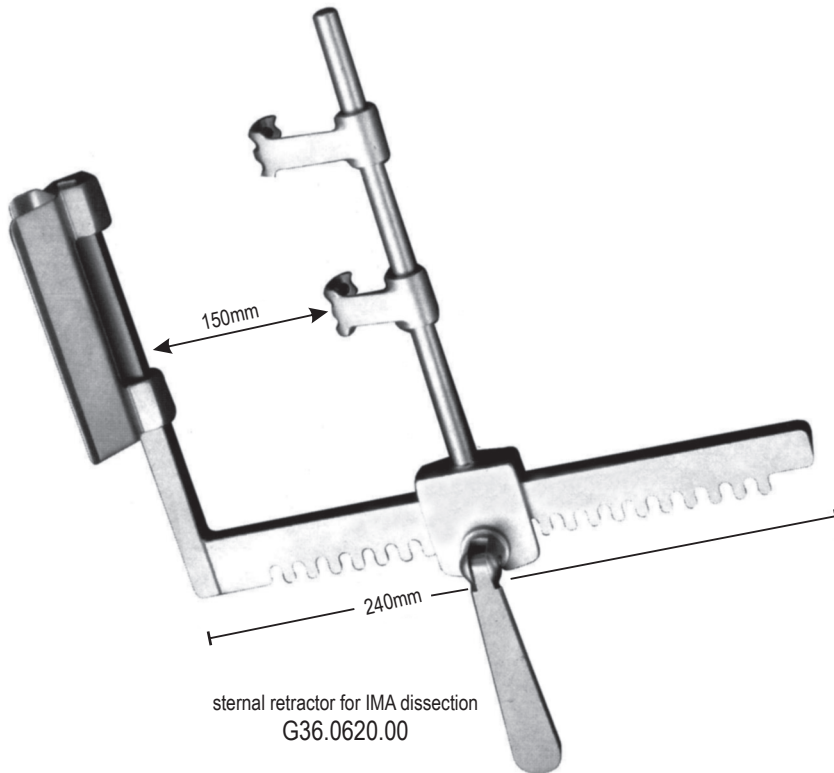
S/S		a	b	c
G36.0610.01	(child)	20mm	40mm	75mm
G36.0610.02	(adult)	20mm	60mm	75mm

G36-024 G36.0610.02



Centimeters

- DE Rippensperrer
- EN Rib Spreaders
- ES Separadores
- AR فارشة الضلع



G36.0630.00 G36-025



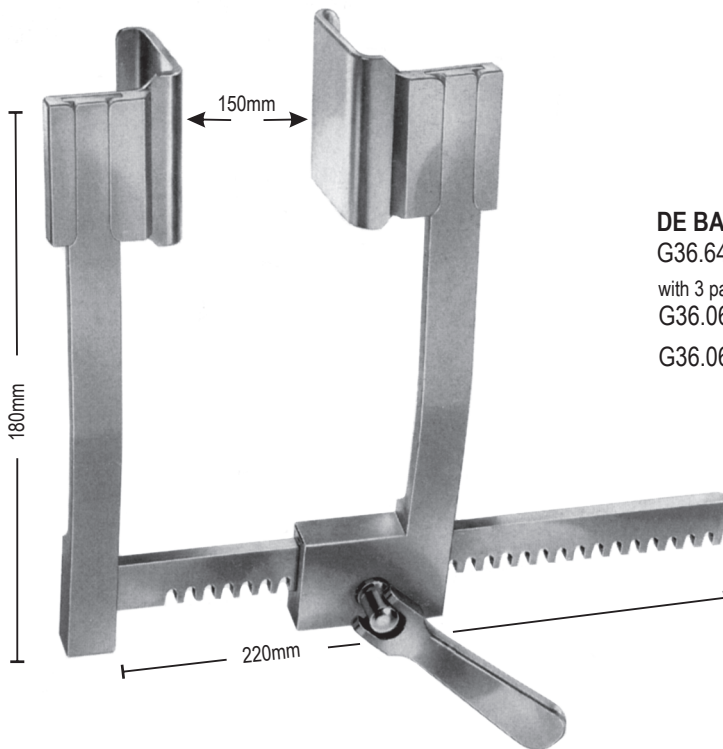
G36

Rippensperrer DE

Rib Spreaders EN

Separadores ES

فارشة الضلع AR



DE BAKEY

G36.640.00

with 3 pairs of blades

G36.0640.01 / G36.0640.02 / G36.0640.03

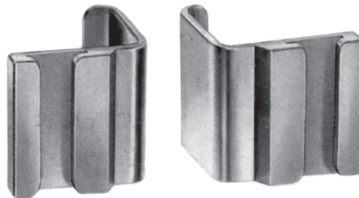
G36.0640.22 spreader only



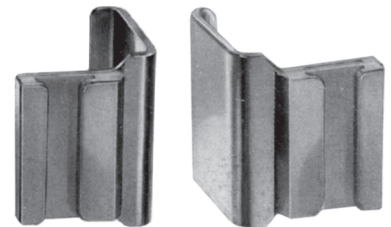
Blades
G36.0640.01
30 x 30 mm



Blades
G36.0640.02
40 x 40 mm

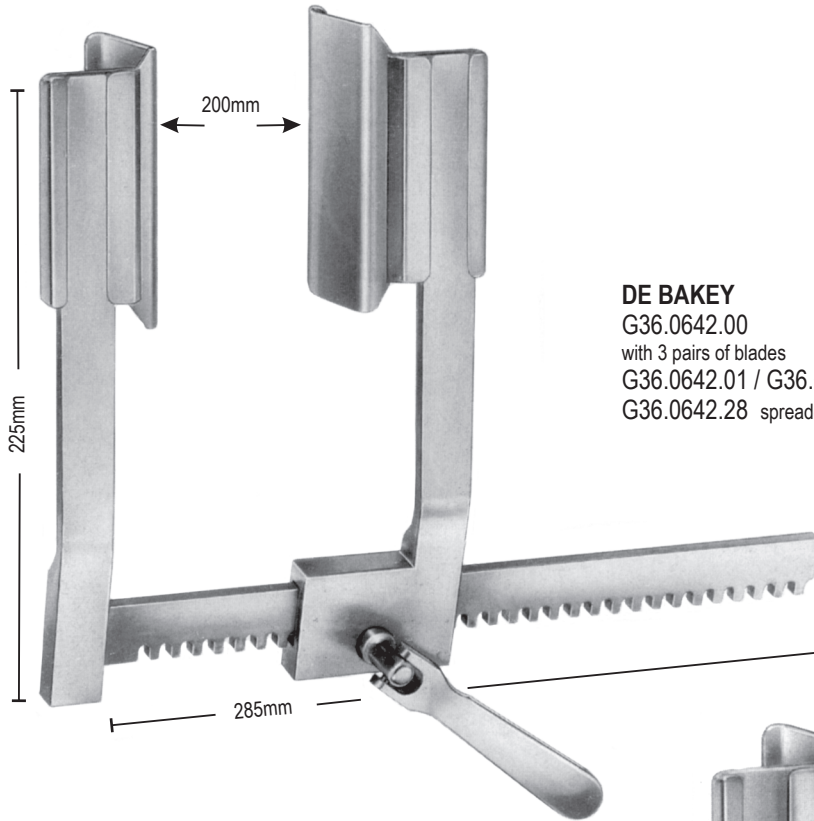


Blades
G36.0640.03
50 x 50 mm



G36-026 G36.0640.03

DE Rippensperrer
EN Rib Spreaders
ES Separadores
AR فارشة الضلع



DE BAKEY

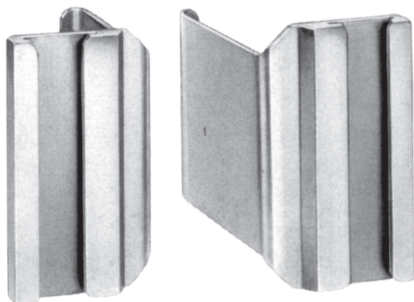
G36.0642.00

with 3 pairs of blades

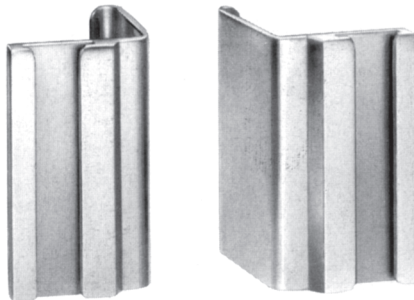
G36.0642.01 / G36.0642.02 / G36.0642.03

G36.0642.28 spreader only

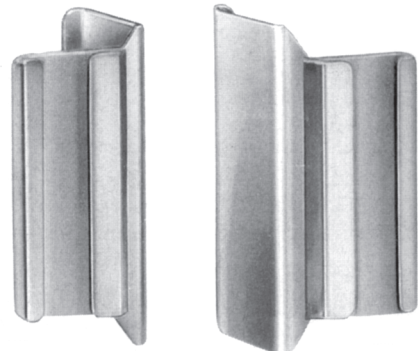
blades
G36.0642.01
60 x 60 mm



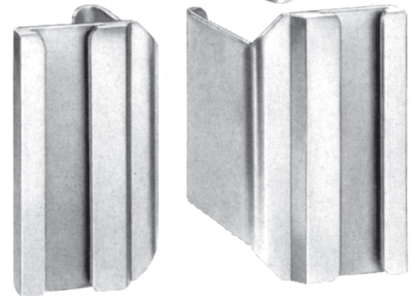
blades
G36.0642.02
50 x 80 mm



blades
G36.0642.03
40 x 100 mm



blades
G36.0642.04
80 x 60 mm



blades
G36.0642.05
50 x 66 mm



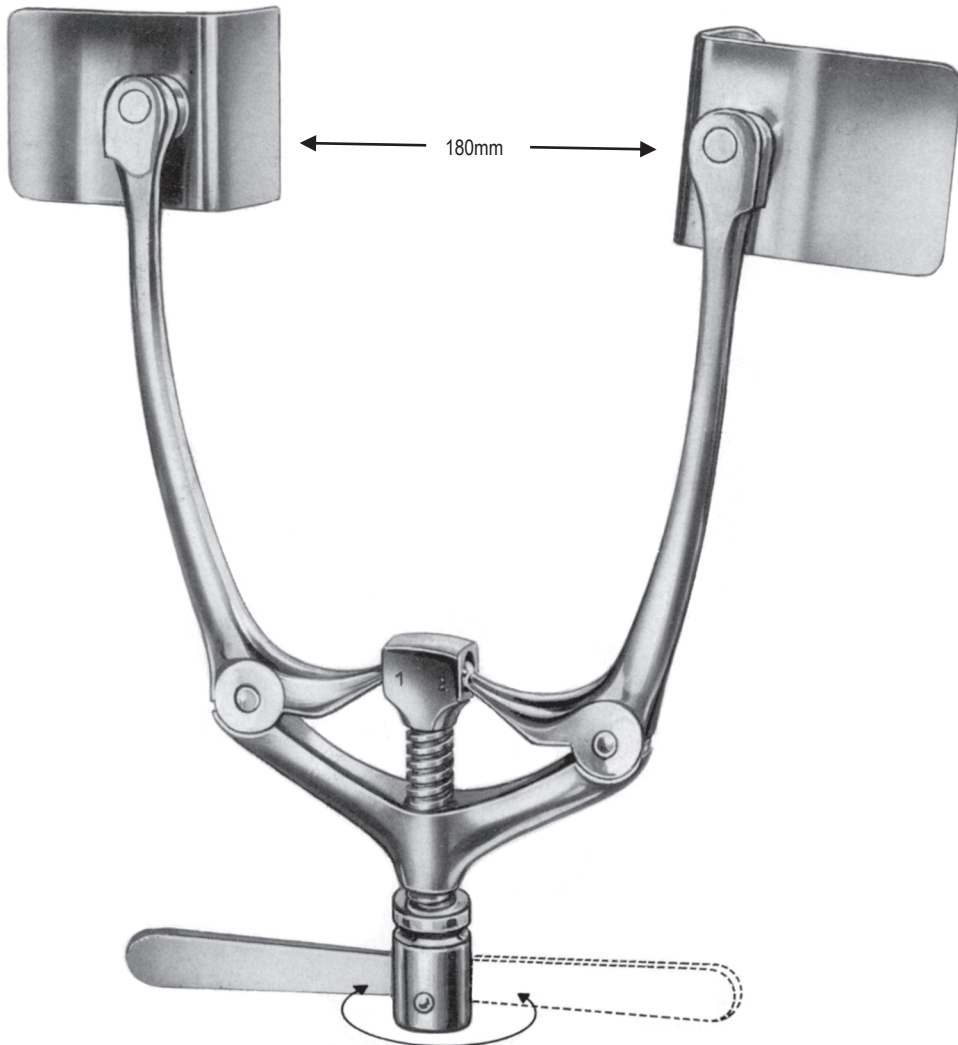
G36

Rippensperrer DE

Rib Spreaders EN

Separadores ES

فارشة الضلع AR



QUERVAIN
G36.0650.00
35 X 50 X 180 mm

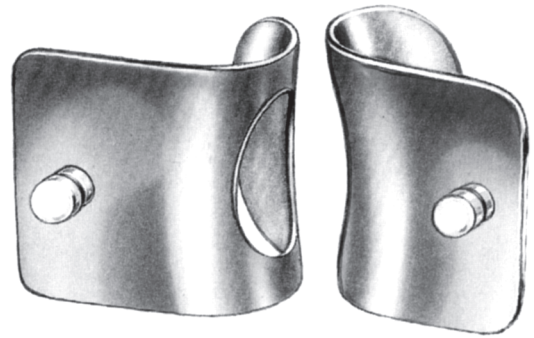
G36-028 G36.0650.00



DE Rippensperrer
EN Rib Spreaders
ES Separadores
AR فارشة الضلع

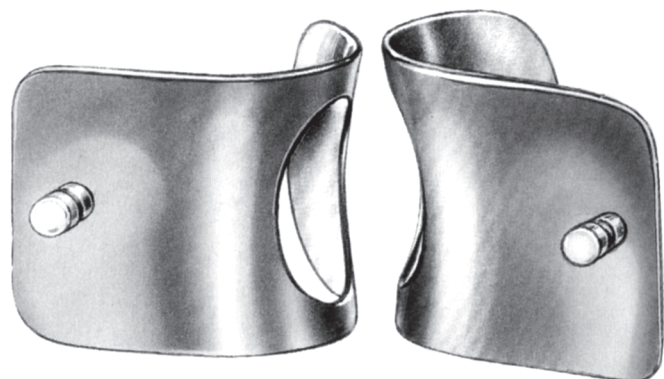


42 x 65 mm



36.0660.65

75 x 75 mm



36.0660.75

G36.0660.00 complete consisting of:
G36.0660.01 retractor only
G36.0660.65 1 pair blades 42x65mm
G36.0660.75 1 pair blades 75x75mm

G36.0660.75 **G36-029**



G36

Rippenkontraktoren, Lungenspatel DE

Rib Spreaders EN

Aproximadores para costillas, espatula pulmonar ES

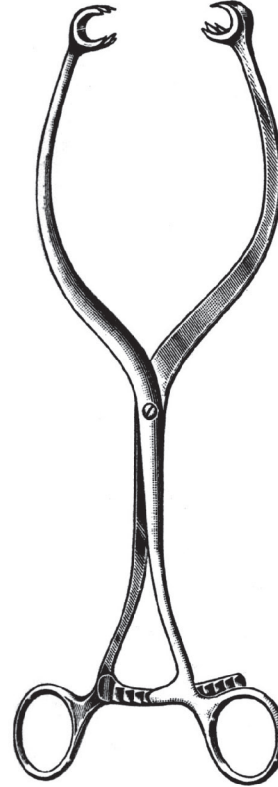
ضلع المقاولين، ملعقة الرئة AR



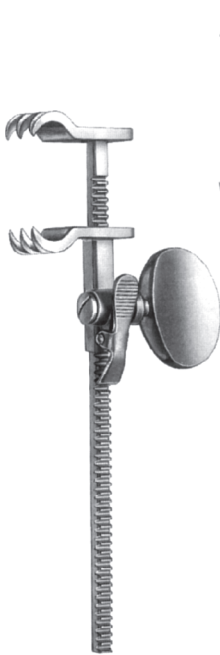
ALLISON
G36.0690.25 25.0cm
G36.0690.30 30.0cm
G36.0690.32 32.0cm



G36.0700.26
26.0cm



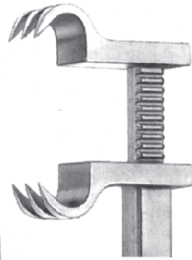
CRAFOORD
G36.0710.28
28.0cm



BAILEY-BABY
G36.0720.14
14.0cm



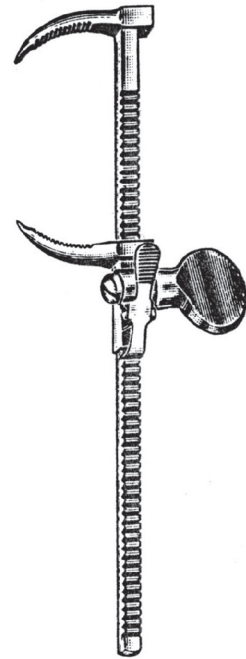
BAILEY
G36.0722.16 16.0cm
G36.0722.20 20.0cm



BAILY-GIBBON
G36.0724.16 16.0cm
G36.0724.20 20.0cm



G36.0730.19
19.0cm



LEMMON
G36.0740.14 14.5cm
G36.0740.18 18.0cm

G36-030 G36.0740.18



DE Bronchusklemmen, Ligaturklemmen
EN Bronchus Forceps, Ligature Forceps
ES Pinzas clamps bronquiales, pinzas para ligaduras
AR قسبة الملقط، الملقط ضد



SAROT
23.0cm



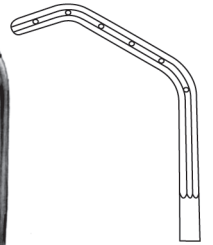
G36.0760.22

PRICE-THOMAS
22.0cm

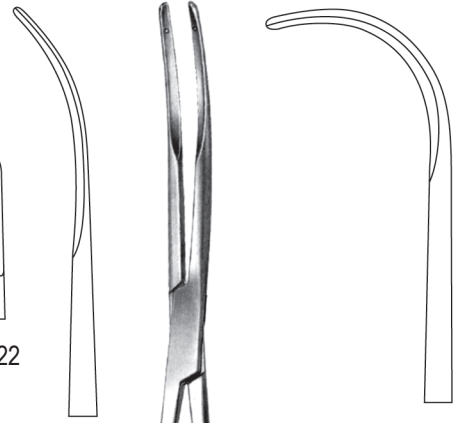


G36.0762.22

PRICE-THOMAS
22.0cm

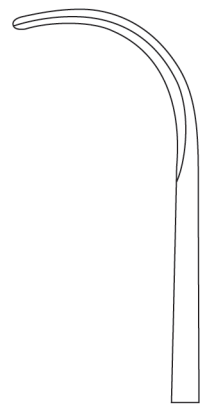


G36.0764.22



G36.0770.24

SEMB
24.0cm



G36.0772.24

G36.0772.24 **G36-031**





www.gsi-medical.de