

- **Medical Equipment**
- **Surgical instruments**

Tracheotomie

DE Tracheotomie

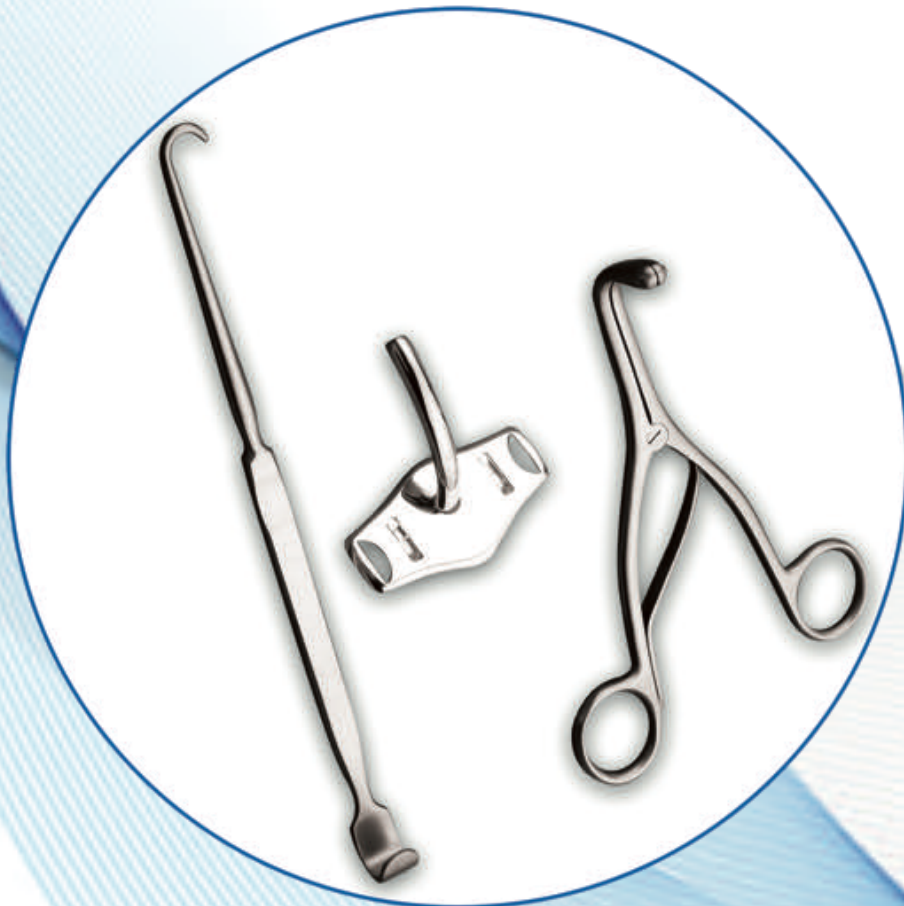
EN Tracheotomy

ES Traqueotomía

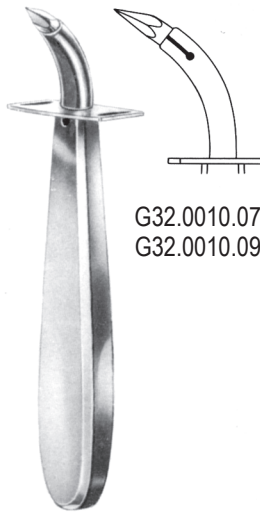
AR بضع الرغامى

G32

PAGE 001 to 010



DE Tracheal-Trokare, Dilatatoren, Stanzen
 EN Trachea Trocars, Dilators, Punches
 ES Traquetomos, dilatadores, pinzas sacabocado
 AR مبزلة بضع الرغامى والموسعات



G32.0010.07 7.5mm Ø
 G32.0010.09 9mm Ø

UCKERMANN
13.0cm



TROUSSEAU
G32.0020.12 12.0cm
G32.0020.14 14.0cm



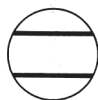
LABORDE
G32.0022.14 14.0cm



WEERDA
G32.0026.19 19.0cm



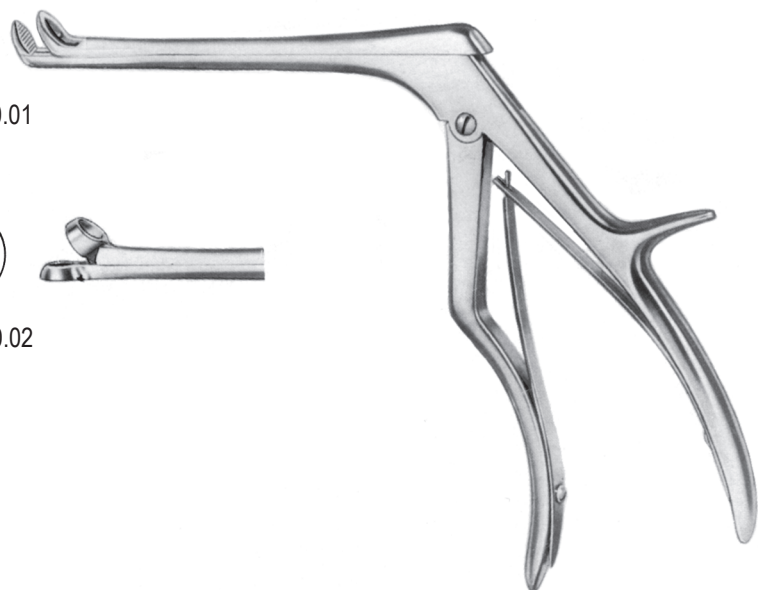
G32.0040.01



G32.0040.02



BOSE
G32.0030.07 7.0cm



G32.0040.01 - G32.0040.02

G32.0040.02 **G32-001**





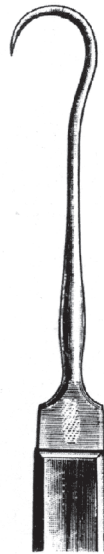
LUKENS
G32.0050.17 17.0cm



JACKSON
G32.0054.17 17.0cm



JACKSON
sharp blunt
G32.0060.18 18.0cm G32.0062.18



G32.0070.18 sharp
G32.0072.18 blunt
18.0cm



G32.0076.18 sharp
G32.0078.18 blunt
18.0cm



SCHOENBORN
G32.0080.21 21.0cm



DE Tracheal-Häkchen

EN Trachea Retractors

ES Separadores para le tráquea

AR مباعد بضع الرغامى



ROSE
G32.0090.13 13.0cm



LUER
G32.0094.11 11.0cm



JACKSON
G32.0100.15 15.0cm



G32.0106.15 15.0cm



ITERSON
16.0cm



G32.0110.16



G32.0112.16



left

BOSE
G32.0120.16 16.0cm



right

BOSE
G32.0122.16 16.0cm



International scale

Fig.	0	1	2	3	4	5	6	7	8	9
Diameter	④	⑤	⑥	⑦	⑧	⑨	⑩	⑪	⑫	⑬mm
Length of outer tube N	45	50	55	60	65	70	75	80	85	90mm



LUER

Fig	mmØ	45-90mm	95mm	105mm
0	4	G32.0130.04		
1	5	G32.0130.05		
2	6	G32.0130.06		
3	7	G32.0130.07		
4	8	G32.0130.08	G32.0132.08	G32.0134.08
5	9	G32.0130.09	G32.0132.09	G32.0134.09
6	10	G32.0130.10	G32.0132.10	G32.0134.10
7	11	G32.0130.11	G32.0132.11	G32.0134.11
8	12	G32.0130.12	G32.0132.12	G32.0134.12
9	13	G32.0130.13	G32.0132.13	G32.0134.13

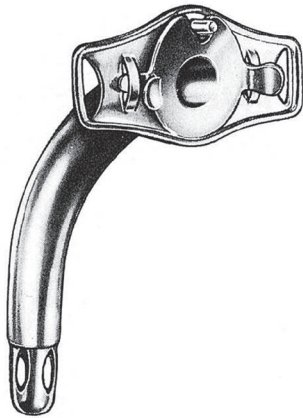


CHEVALIER-JACKSON

Fig	mmØ	45-90mm
0	4	G32.0140.04
1	5	G32.0140.05
2	6	G32.0140.06
3	7	G32.0140.07
4	8	G32.0140.08
5	9	G32.0140.09
6	10	G32.0140.10
7	11	G32.0140.11
8	12	G32.0140.12
9	13	G32.0140.13

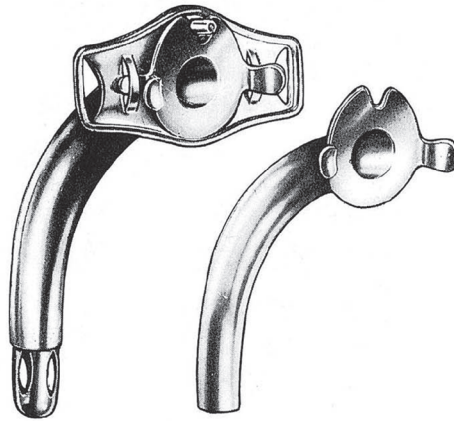


DE Trachealkanülen
EN Tracheal Tubes
ES Cánulas traqueales
AR أنابيب بضع الرغامى



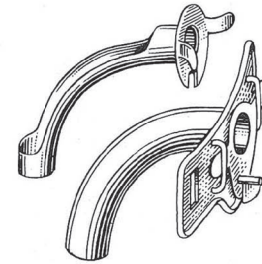
KRISHABER

Fig	mm	
0	4	G32.0150.04
1	5	G32.0150.05
2	6	G32.0150.06
3	7	G32.0150.07
4	8	G32.0150.08
5	9	G32.0150.09
6	10	G32.0150.10
7	11	G32.0150.11
8	12	G32.0150.12



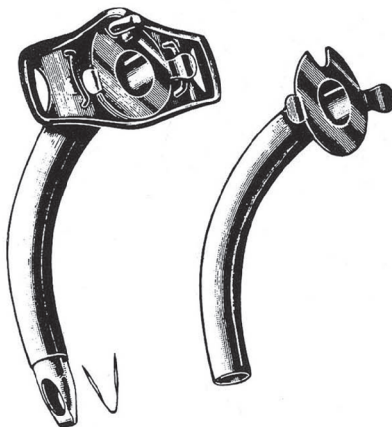
KRISHABER-LUER

Fig	mm	
0	4	G32.0152.04
1	5	G32.0152.05
2	6	G32.0152.06
3	7	G32.0152.07
4	8	G32.0152.08
5	9	G32.0152.09
6	10	G32.0152.10
7	11	G32.0152.11
8	12	G32.0152.12



PARKER

Fig	F.G	
1	16	G32.0160.16
2	18	G32.0160.18
3	20	G32.0160.20
4	22	G32.0160.22
5	24	G32.0160.24
6	26	G32.0160.26
7	28	G32.0160.28
8	30	G32.0160.30
9	32	G32.0160.32



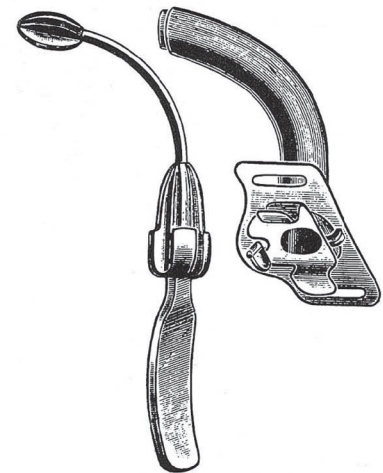
COLLIN

Fig	mm	
0	4	G32.0170.04
1	5	G32.0170.05
2	6	G32.0170.06
3	7	G32.0170.07
4	8	G32.0170.08
5	9	G32.0170.09
6	10	G32.0170.10
7	11	G32.0170.11
8	12	G32.0170.12



FULLER

Fig	F.G	
1	18	G32.0180.18
2	20	G32.0180.20
3	22	G32.0180.22
4	24	G32.0180.24
5	26	G32.0180.26
6	28	G32.0180.28
7	30	G32.0180.30
8	32	G32.0180.32



CUBLEY

Fig	F.G	
1	16	G32.0190.16
2	18	G32.0190.18
3	20	G32.0190.20
4	22	G32.0190.22
5	24	G32.0190.24
6	26	G32.0190.26
7	28	G32.0190.28
8	30	G32.0190.30
9	32	G32.0190.32



G32

Trachealkanülen DE

Tracheal Tubes EN

Cánulas traqueales ES

أنابيب بضع الرغامى AR

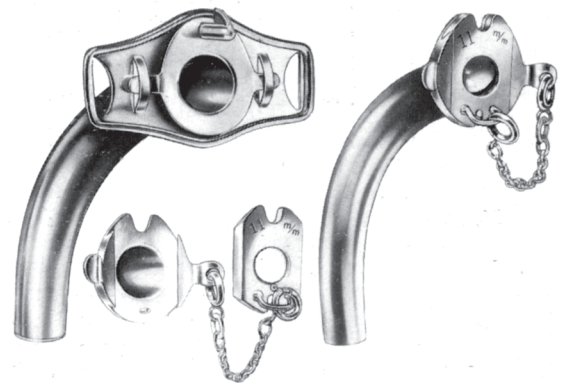
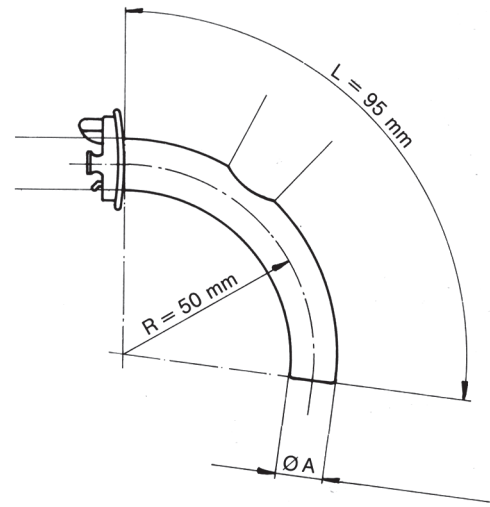
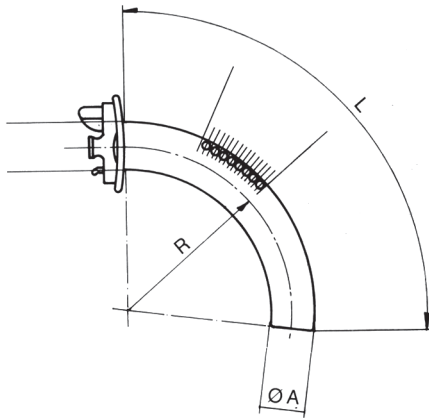


Fig		ØA	L	R
0	G32.0200.08	8	65	36.5
1	G32.0200.09	9	70	29
2	G32.0200.10	10	75	40.5
3	G32.0200.11	11	80	41.5
4	G32.0200.12	12	85	43
5	G32.0200.13	13	90	47.5

Fig		ØA	L	R
0	G32.0210.08	8	95	50
1	G32.0210.09	9	95	50
2	G32.0210.10	10	95	50
3	G32.0210.11	11	95	50
4	G32.0210.12	12	95	50
5	G32.0210.13	13	95	50

G32-006 G32.0210.13



DE Trachealkanülen
EN Tracheal Tubes
ES Cánulas traqueales
AR أنابيب بضع الرغامى

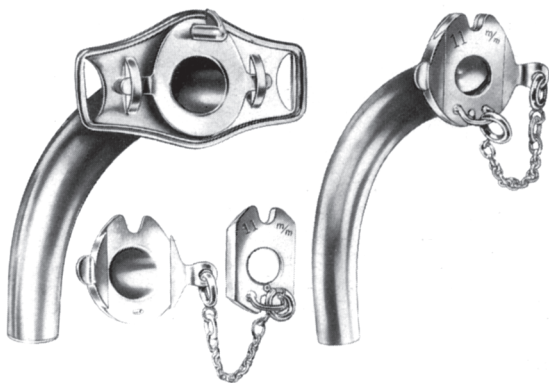
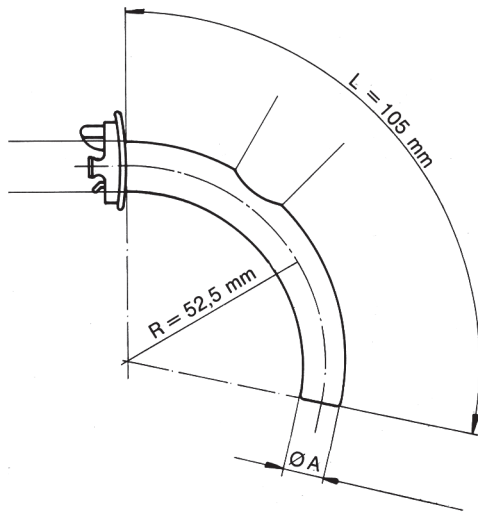


Fig	ØA	L	R
0	G32.0220.08	8	105 52.5
1	G32.0220.09	9	105 52.5
2	G32.0220.10	10	105 52.5
3	G32.0220.11	11	105 52.5
4	G32.0220.12	12	105 52.5
5	G32.0220.13	13	105 52.5

12mm Ø



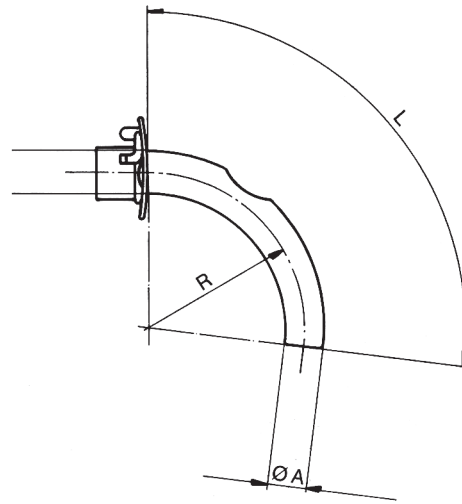
G32.0230.26 26.0cm



G32.0240.05 5mm Ø
G32.0240.07 7mm Ø
G32.0240.09 9mm Ø

WAGENER-MOSHER
20.0cm



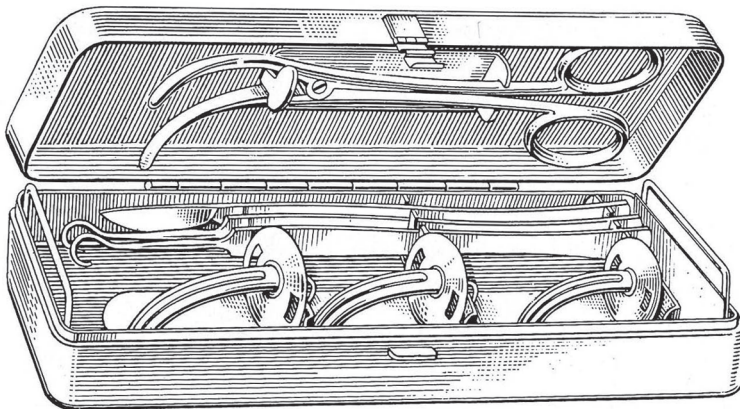


KOENIG

Fig	mmØ	50-80mm
1	5	G32.0250.05
2	6	G32.0250.06
3	7	G32.0250.07
4	8	G32.0250.08
5	9	G32.0250.09
6	10	G32.0250.10
7	11	G32.0250.11

Fig		ØA	L	R
0	G32.0260.08	8	65	36.5
1	G32.0260.09	9	70	39
2	G32.0260.10	10	75	40.5
3	G32.0260.11	11	80	41.5
4	G32.0260.12	12	85	43
5	G32.0260.13	13	90	47.5

- DE Tracheatomie-Besteck
 EN Tracheotomy set
 ES Estuche para traqueotomia
 AR طقم بضع الرغامى



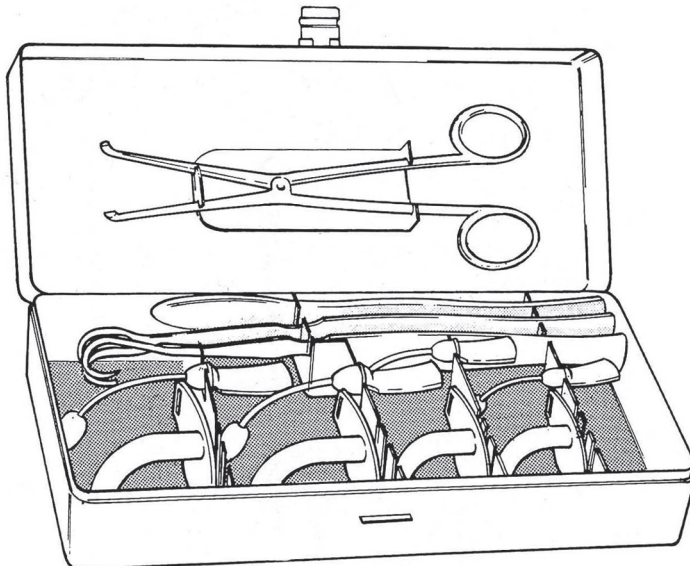
32.0270.00

TRACHEOTOMY SET

32.0270.00

complete in stainless steel case comprising:

- G32.0180.18 Fuller tracheotomy tube, 18
- G32.0180.22 Fuller tracheotomy tube, 22
- G32.0180.26 Fuller tracheotomy tube, 26
- G32.0070.18 Tracheal hook, sharp
- G32.0072.18 Tracheal hook, blunt
- G08.0010.01 Scalpel, stainless, 3cm
- G32.0020.14 Trausseau, tracheal, dilating forcep



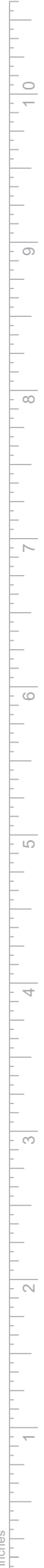
32.0280.00

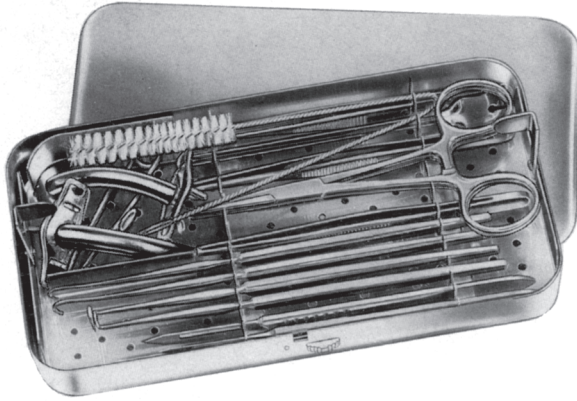
TRACHEOTOMY SET

32.0280.00

complete in stainless steel case comprising:

- G32.0160.18 Parker tracheotomy tube, 18
- G32.0160.22 Parker tracheotomy tube, 22
- G32.0160.24 Parker tracheotomy tube, 24
- G32.0160.26 Parker tracheotomy tube, 26
- G32.0070.18 Tracheal hook, sharp.
- G32.0078.18 Tracheal hook, double blunt.
- G08.0010.01 Scalpel, stainless, 3cm
- G32.0020.14 Trausseau, tracheal, dilating forcep





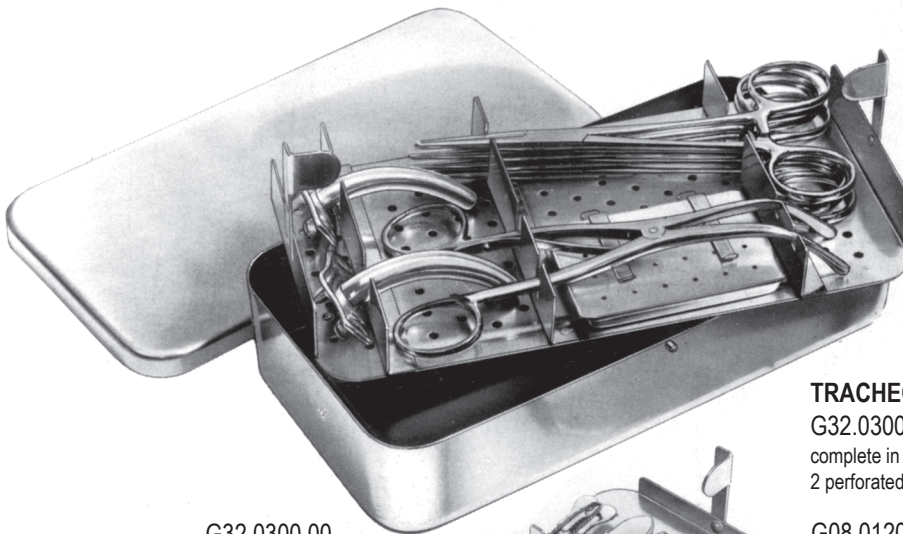
G32.0290.00
200 x 105 x 30mm

TRACHEOTOMY SET

G32.0290.00

complete in metal case, consisting of:

- G08.0120.04 1 Handle with 1 blade, Fig. 20
- G08.0120.04 1 Handle with 1 blade, Fig. 23
- G12.0010.13 1 Thumb forceps, 13.0cm
- G12.0114.13 1 Tissue forcep, 13.0cm 1 x 2 teeth
- G14.0220.13 2 Pean Artery Forceps, 13.0cm
- G20.0040.14 1 Grooved Director, 14.0cm
- G32.0030.07 1 Trachea Dilator
- G32.0012.16 2 Iterson Trachea Retractors, blunt
- G32.0120.16 1 Bose Trachea Retrector, sharp left hand side
- G32.0122.16 1 ditto, right hand side
- G32.0130.07 1 Luer Trachea Tube, Standard
- G32.0130.08 1 ditto
- G32.0230.26 1 Cleaning Brush



G32.0300.00
200 x 100 x 40mm

TRACHEOTOMY SET

G32.0300.00

complete in metal case 200 x 100 x 40 mm, with
2 perforated trays of 18/8 s/s containing the following instruments:

- G08.0120.04 1 Scalpel Handle No. 4, with blade No. 20
- G08.0120.04 1 Scalpel Handle No. 4, with blade No. 23
- 3 Scalpel Blades, assorted, in perforated small case.
- 1 Small case for above Scalpel Blades
- G12.0010.13 1 Dressing Forceps, serrated, 13.0cm
- G12.0114.13 2 Tissue Forceps, 1 x 2 teeth, 13.0cm
- G14.0094.14 4 Crile Artery Forceps, straight, 14.0cm
- G20.0040.14 1 Grooved Director, 14.0cm
- G32.0020.14 1 Trousseau Trachea Dilator, 14.0cm
- G32.0012.16 2 Iterson Trachea Hooks, blunt
- G32.0120.16 1 Bose Hook, sharp, left hand side, 16.0cm
- G32.0122.16 1 ditto, right hand side, 16.0cm
- G32.0130.06 1 Luer Trachea Tube, size 2.6mm diam.
German Silver.
- G32.0130.08 1 ditto, size 4.8mm diam, German Silver.
- G32.0230.26 1 Cleaning Brush, 12mm diam. 26.0cm

