

- **Medical Equipment**
- **Surgical instruments**

Neurochirurgie

DE	Neurochirurgie
EN	Neuro Surgery
ES	Neuro cirugía
AR	جراحة المخ والأعصاب

G30

PAGE 001 to 025



- DE Klammer-Anlegezangen, Instrumente zur Schadelöffnung
- EN Clip Applying Forceps, Instruments For Cranial Opening
- ES Pinzas p/poner lesgrapes, instrumentos para abertura craneana
- AR الملقط مقطع تطبيق، آلات فتح للجمجمة



RANEY
G30.0010.16 16.5cm



RANEY
G30.0012.16 16.5cm



DAHLGREN
G30.0020.20 20.0cm



DE VILBISS
G30.0026.21 21.0cm



MARTEL
G30.0030.33 33.0cm

G30.0030.33 **G30-001**



G30

Schadelhalter DE

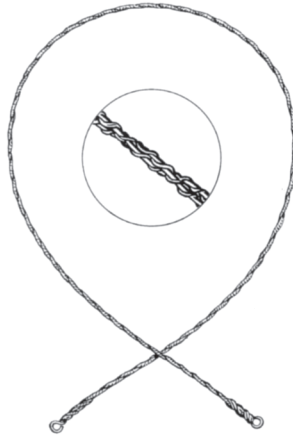
Cervical Traction Tongs EN

Pinzas de traccion cranial ES

الملقط الجر العمود الفقري العنقي AR



GIGLI
G30.0040.00



OLIVECRONA

	2 twist	3 twist	4 twist
30.0cm	G30.0042.30	G30.0043.30	G30.0044.30
40.0cm	G30.0042.40	G30.0043.40	G30.0044.40
50.0cm	G30.0042.50	G30.0043.50	G30.0044.50
60.0cm	G30.0042.60	G30.0043.60	G30.0044.60
70.0cm	G30.0042.70	G30.0043.70	G30.0044.70



CRUTCHFIELD
G30.0050.01



CRUTCHFIELD
G30.0050.02



G30.0050.04
3.5mm Ø



G30.0050.05
5mm Ø

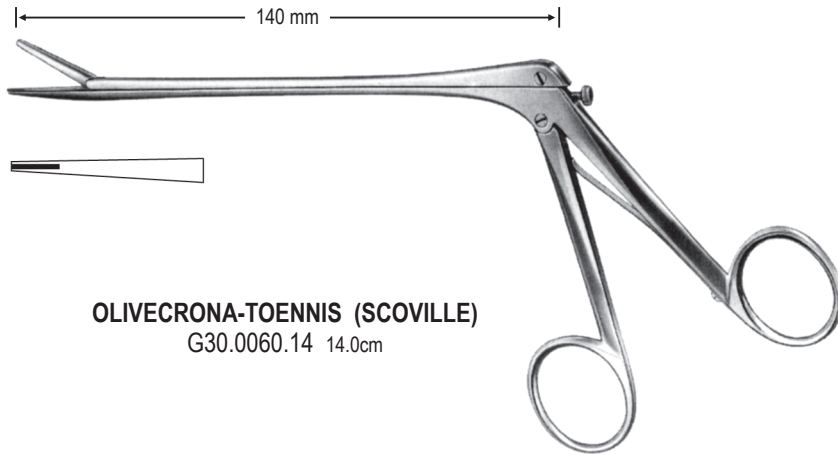


G30.0054.00 complete
G30.0054.10 spare pins

G30-002 G30.0054.10



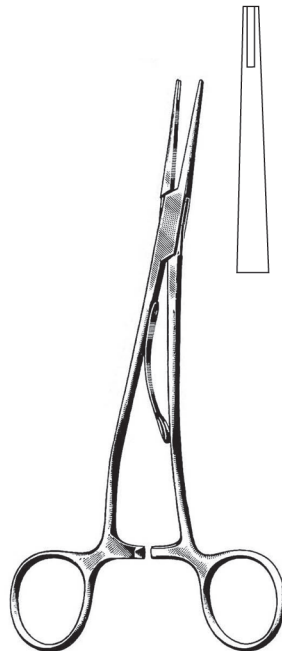
- DE Clips Anlegezangen
- EN Clips Applying Forceps
- ES Grapas pinzas aplicadoras
- AR الملقط مقطع تطبيق



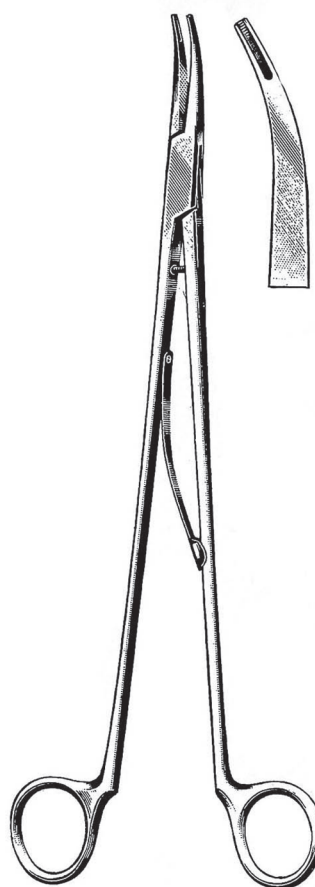
OLIVECRONA-TOENNIS (SCOVILLE)
G30.0060.14 14.0cm



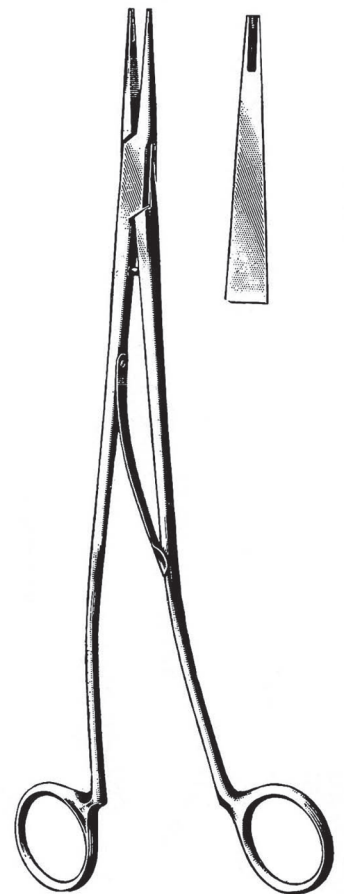
MCKENZIE
G30.0070.15 15.0cm
G30.0070.19 19.0cm



MCKENZIE
G30.0072.15 15.0cm
G30.0072.19 19.0cm



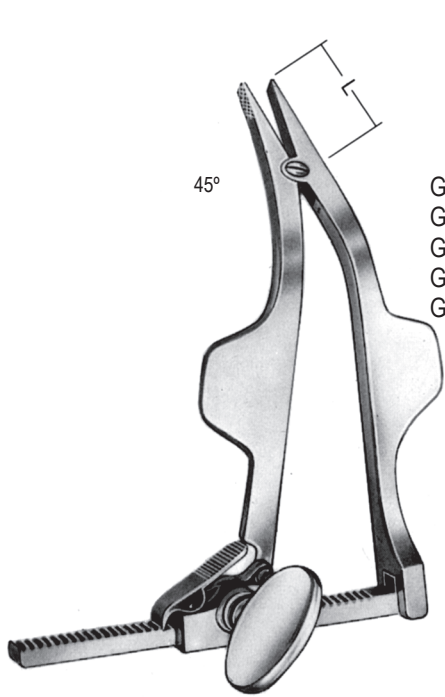
SMITHWICK
G30.0080.23 23.0cm
G30.0080.26 26.0cm



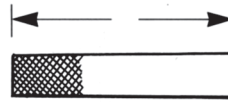
SWEET
G30.0082.23 23.0cm
G30.0082.25 25.0cm

G30.0082.25 **G30-003**





CLOWARD
15.0cm



LENGTH

G30.0090.30	30mm	G30.0092.30
G30.0090.50	50mm	G30.0092.50
G30.0090.70	70mm	G30.0092.70
G30.0090.90	90mm	G30.0092.90
G30.0090.10	110mm	G30.0092.10



CLOWARD
17.0cm



CLOWARD
G30.0096.16 16.0cm



INGE
G30.0100.16 16.5cm



DE Wirbelkörperspeizer

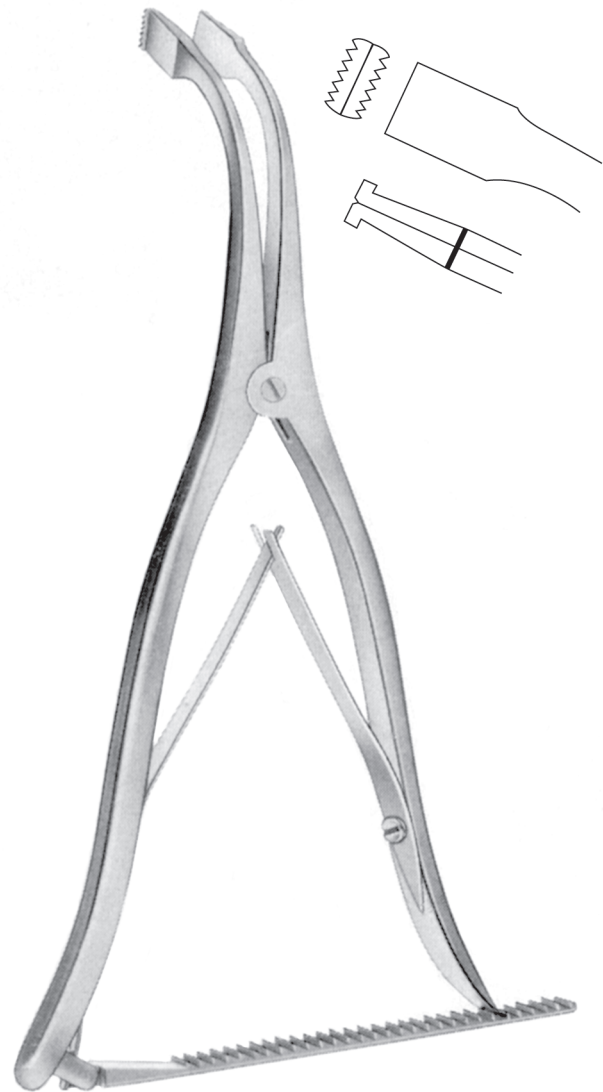
EN Lamina Spreaders

ES Separadores para cuerpos vertebrales

AR المفرشة الصفيحة



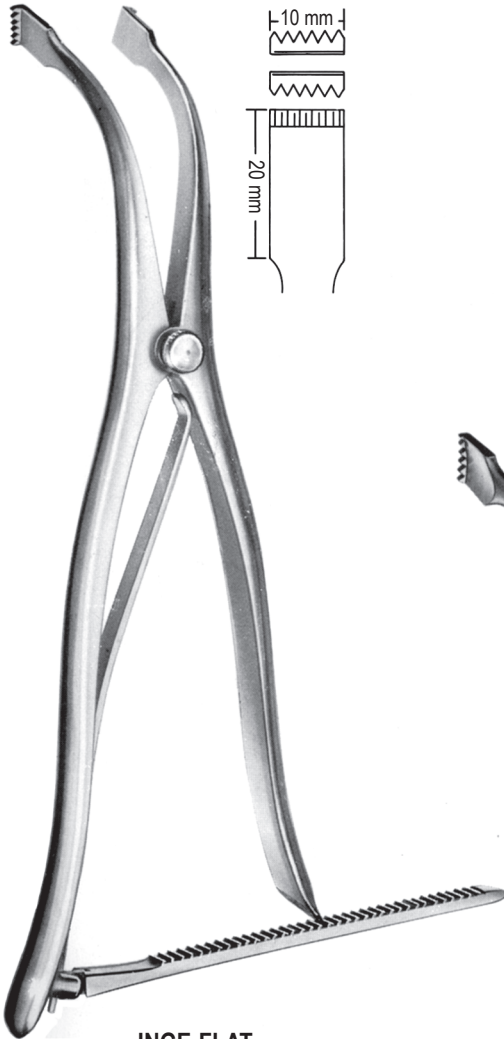
INGE
G30.0102.24 24.0cm
Blade opening 50mm



INGE
G30.0104.27 27.0cm

G30.0104.27 **G30-005**





INGE-FLAT
G30.0106.24 24.0cm
2 flat jaws
Blade opening 50mm



INGE-CURVED
G30.0108.24 24.0cm
2 cupped jaws
Blade opening 50mm



G30.0116.28 28.0cm
serrated jaws
Blade opening 75mm

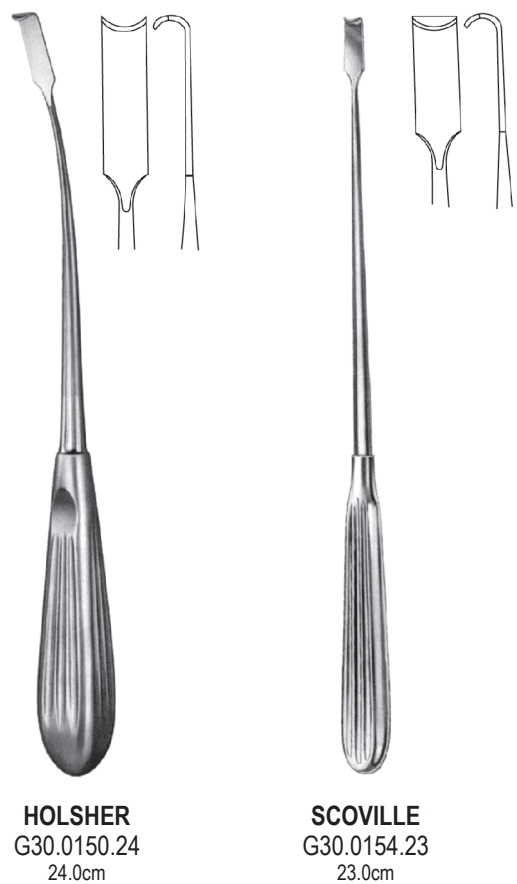
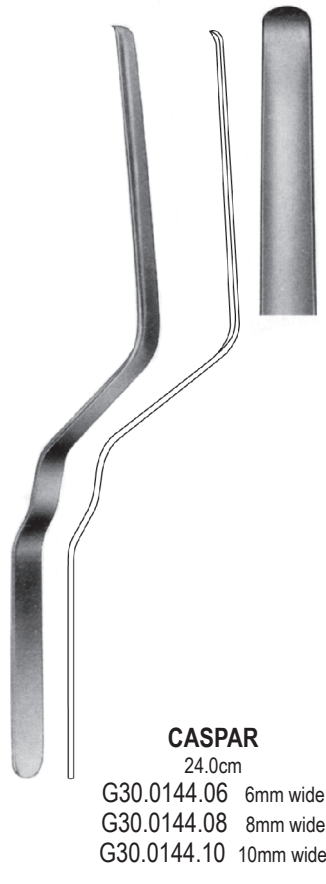
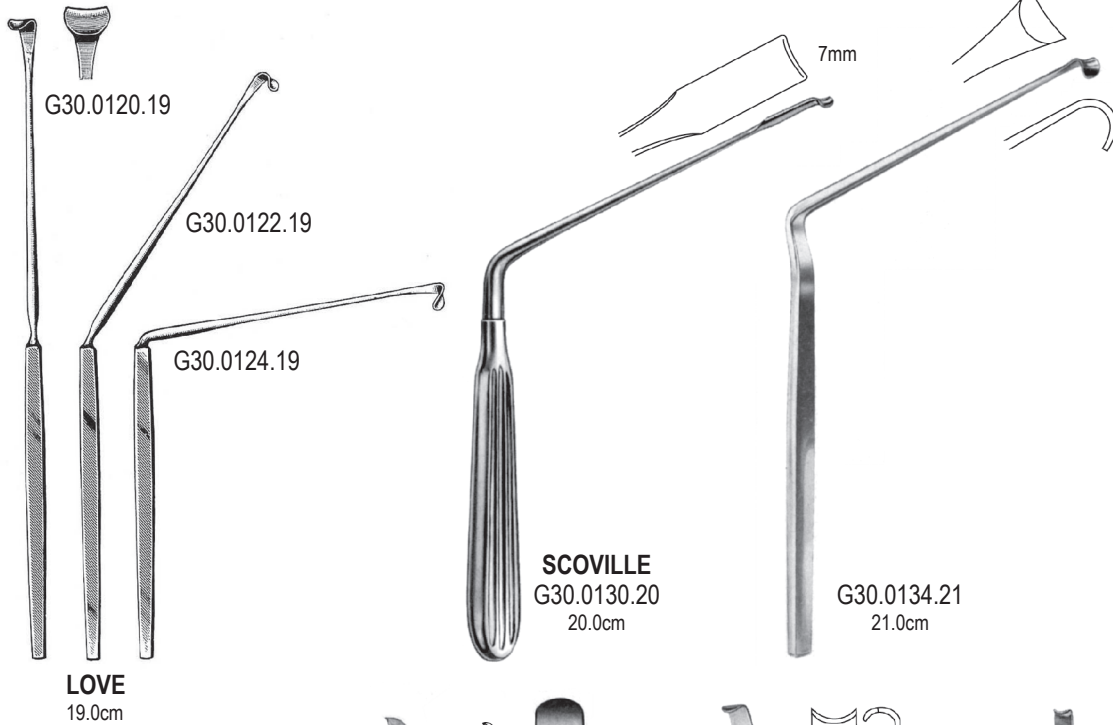


DE **Nervwurzelhaken**

EN **Nerve Root Retractors**

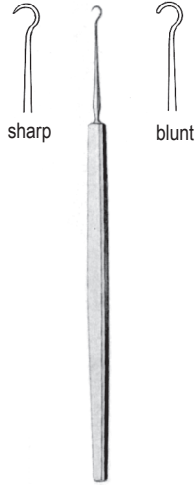
ES **Separadores de raiz de nervios**

AR **الكامشات جذر العصب**





CUSHING
G30.0160.14
14.0cm



FRAZIER
G30.0164.13 13.0cm
G30.0164.18 18.0cm
G30.0166.13
G30.0166.18



LAHEY
G30.0170.13
13.0cm



TOENNIS
G30.0174.15
15.0cm



GRAHAM
G30.0180.16
16.5cm



SACHS
G30.0184.18
18.5cm



DANDY
G30.0190.20
20.0cm



DANDY
G30.0192.20
20.0cm



DANDY
G30.0194.20
20.0cm



HOENN
G30.0200.22
22.0cm



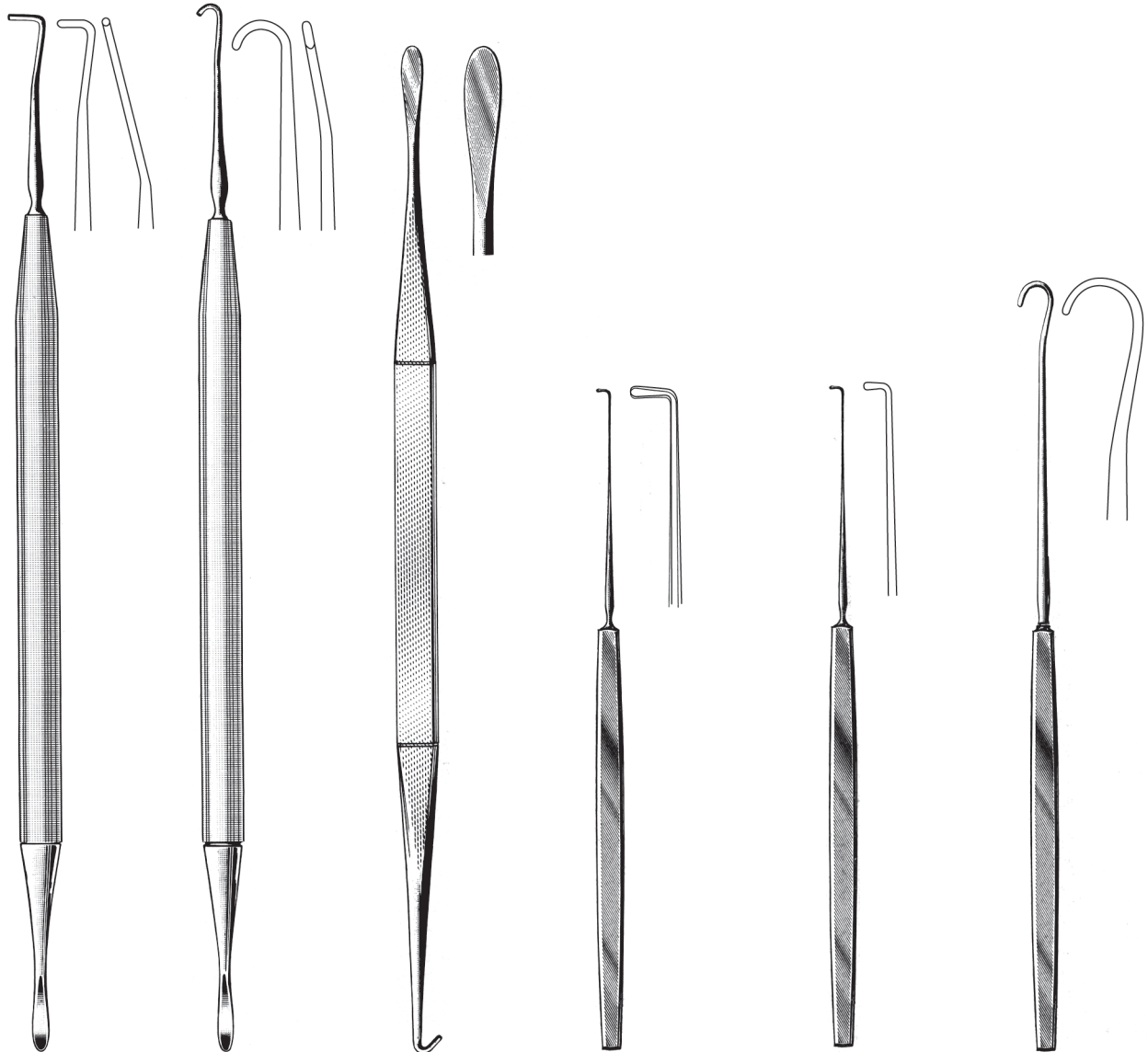
ADSON
G30.0204.20
20.0cm



ADSON
G30.0206.20
20.0cm



DE **Nervhaken**
 EN **Nerve Hooks**
 ES **Ganchos para nervios**
 AR **صنارة العصب**



SCOVILLE
 G30.0210.30
 30.0cm

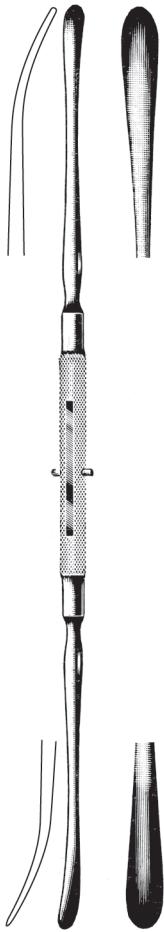
SCOVILLE
 G30.0212.30
 30.0cm

SMITHWICK
 G30.0216.29
 29.0cm

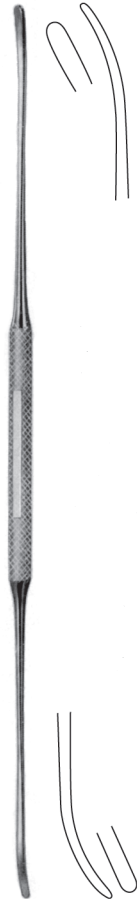
CUSHING
 G30.0220.19 19.0cm
 G30.0220.28 28.0cm

CUSHING
 G30.0222.19 19.0cm
 G30.0222.28 28.0cm

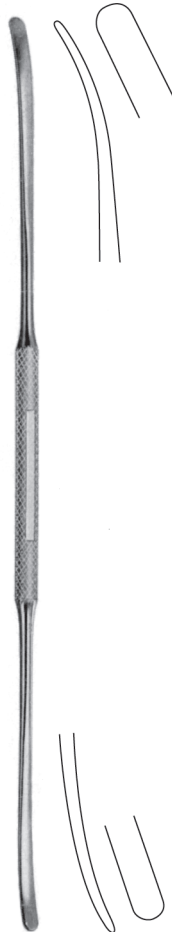
SMITHWICK
 G30.0226.17 17.0cm
 G30.0226.21 21.0cm



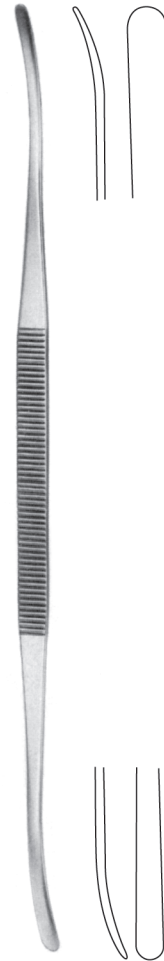
DAVIS
G30.0230.24 24.5cm



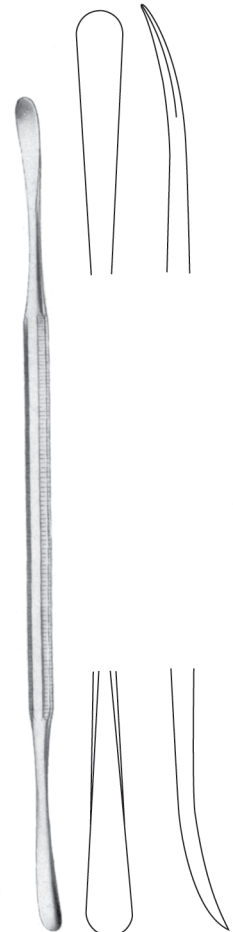
OLIVECRONA
G30.0234.18 18.0cm
G30.0234.24 24.0cm



OLIVECRONA
G30.0236.19 19.5cm
G30.0236.24 24.0cm



TOENNIS
G30.0240.25 25.0cm



G30.0244.22 22.0cm

DE Dura-Dissektoren
 EN Dura Dissectors
 ES Disecadores de dura-madre
 AR مشرح الجافية



PENFIELD
G30.0250.01 17.5cm



PENFIELD
G30.0250.02 19.5cm



PENFIELD
G30.0250.03 19.5cm



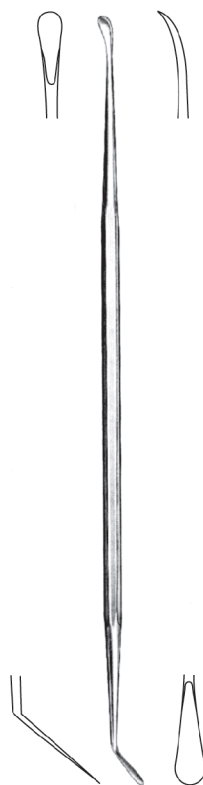
PENFIELD
G30.0250.05 29.0cm



PENFIELD
G30.0250.04 21.5cm



SACHS
G30.0254.21 21.0cm



MILLIGAN
G30.0260.21 21.0cm



SACHS
G30.0264.21 21.0cm



SACHS
G30.0266.21 21.0cm

G30.0266.21 **G30-011**

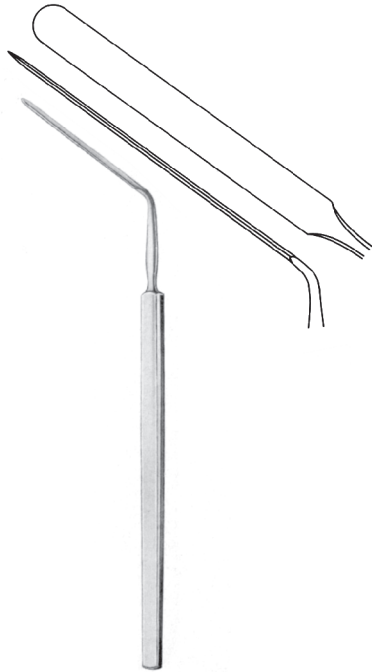


Dura-separatoren, Messer, Hypophysenkuretten DE

Dura Dissectors, Knives, Pituitary Curettes EN

Disecadores de dura-madre, bisturios, curetas pituitarias ES

مشرح الجافية، السكاكين، المجارف الغدة النخامية AR



HORSLEY
G30.0270.20 20.0cm



FRAZIER
G30.0274.15 15.0cm



HOEN
G30.0280.15 15.0cm



HOEN
G30.0282.15 15.0cm



HALLE
G30.0290.20
20.0cm



TOENNIS
G30.0294.13 13.0cm
G30.0294.19 19.0cm



G30.0300.19
19.0cm



G30.0302.19
19.0cm



G30.0304.19
19.0cm



G30.0306.19
19.0cm

G30-012 G30.0306.19

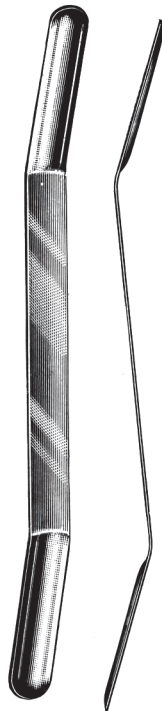


DE	Hirnspatel
EN	Brain Spatulas
ES	Espatulas cerebrales
AR	ملاعق الدماغ



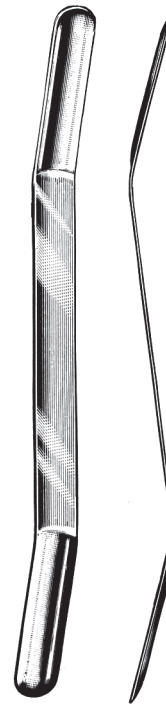
CUSHING

- G30.0310.17 17.0cm
- G30.0310.20 20.0cm
- G30.0310.28 28.0cm



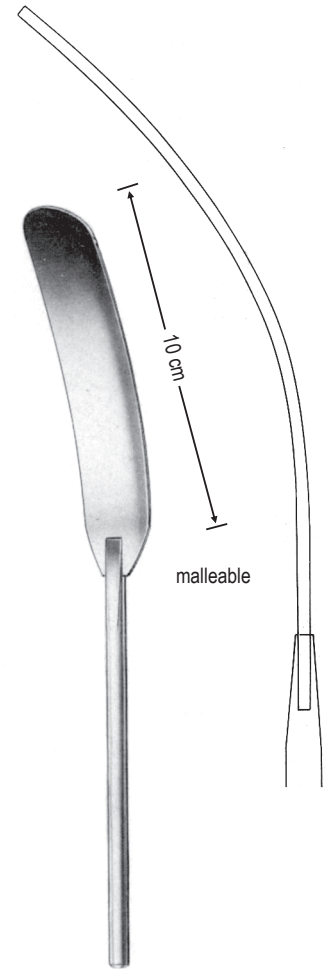
OLIVECRONA

- | | | |
|-------------|-------------------|-------------|
| | 18.0cm | |
| concave | width of spatulas | convex |
| G30.0320.18 | 7x9mm | G30.0330.18 |
| G30.0322.18 | 11x13mm | G30.0332.18 |
| G30.0324.18 | 15x18mm | G30.0334.18 |
| G30.0326.18 | 18x22mm | G30.0336.18 |



HEIFETZ

- | | |
|-------------|--------|
| | 20.0cm |
| G30.0340.08 | 8mm |
| G30.0340.11 | 11mm |
| G30.0340.14 | 14mm |
| G30.0340.17 | 17mm |
| G30.0340.20 | 20mm |





DAVIS

17.5cm (malleable, nickel silver)

- G30.0350.06 6mm
- G30.0350.09 9mm
- G30.0350.13 13mm
- G30.0350.16 16mm
- G30.0350.19 19mm
- G30.0350.25 25mm
- G30.0350.32 32mm
- G30.0350.38 38mm



SCOVILLE

20.0cm (double-ended)

- G30.0356.13 10x13mm
- G30.0356.19 16x19mm



MAYFIELD

G30.0360.20 20.0cm

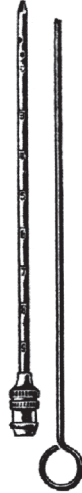


CHILDRENS

G30.0364.21 21.0cm



DE Punktionskanulen, Saugkanulen
 EN Exploring Cannula, Suction Tubes
 ES Canulas ventriculares, tubos
 AR قنية مستكشفة، شفط أنابيب



FRAZIER
 G30.0370.10 2mm, 10.0cm
 G30.0370.12 3mm, 12.0cm



ADSON (Graduated)
 G30.0374.10 Fr.9, 10.0cm
 G30.0374.14 Fr.9, 14.0cm



ELSBERG
 11.0cm
 G30.0380.05 Fr.5
 G30.0380.07 Fr.7
 G30.0380.09 Fr.9



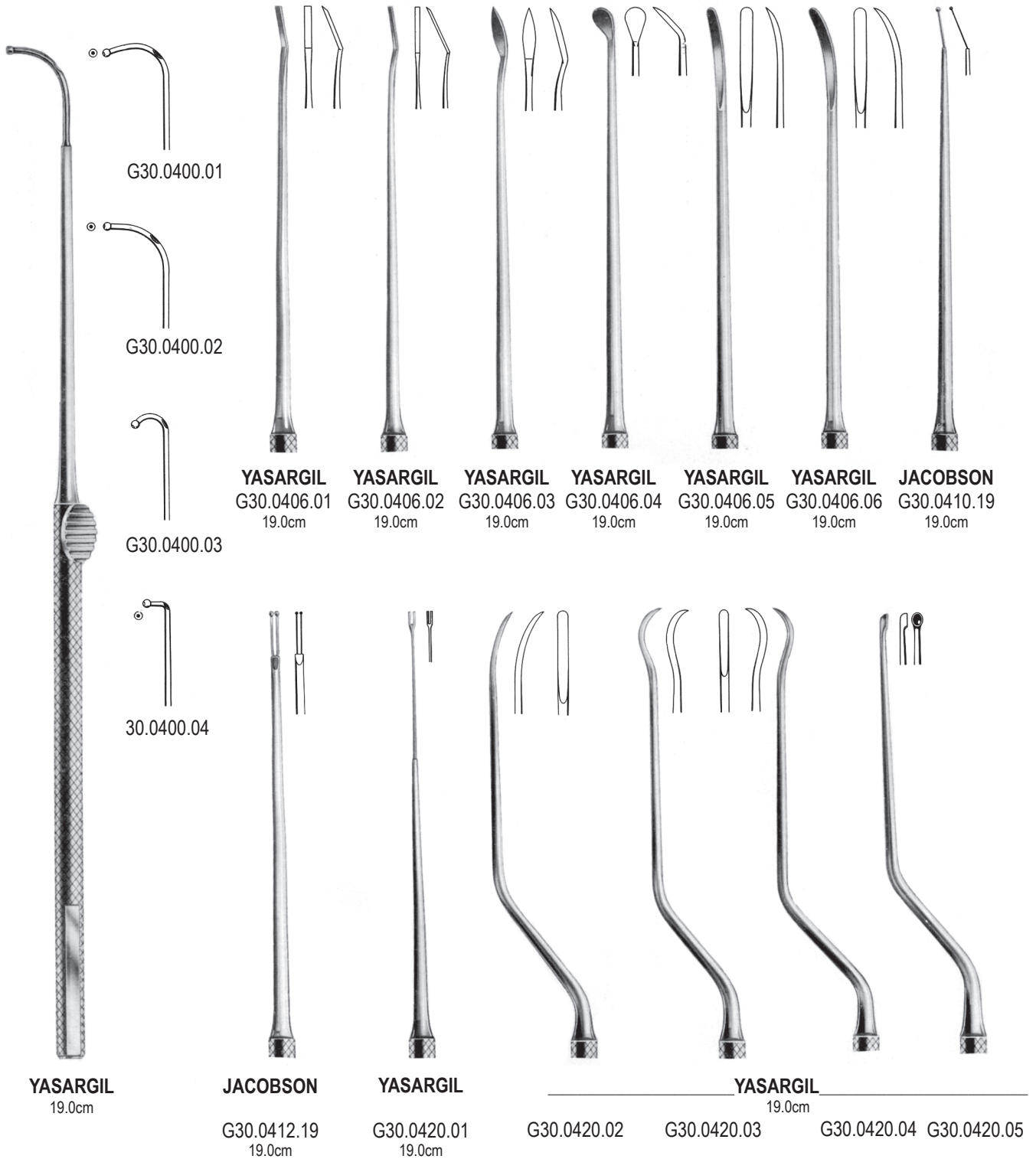
FRAZIER
 Charr. 19.0cm

FG	30°	75°
06	G06.0240.06	G06.0242.06
07	G06.0240.07	G06.0242.07
08	G06.0240.08	G06.0242.08
09	G06.0240.09	G06.0242.09
10	G06.0240.10	G06.0242.10
11	G06.0240.11	G06.0242.11
12	G06.0240.12	G06.0242.12



ADSON
 G06.0266.40
 4mm, 21.0cm

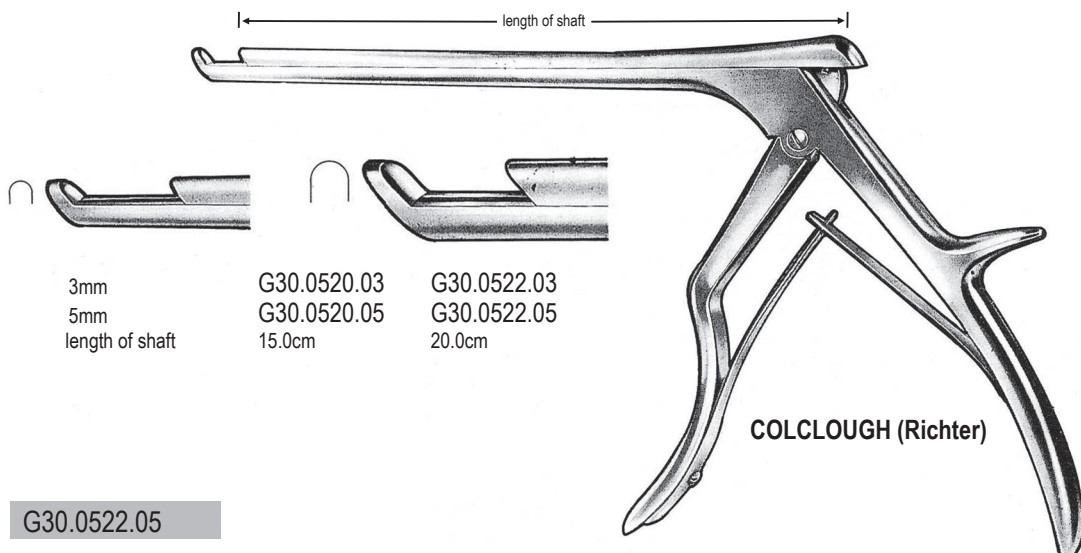
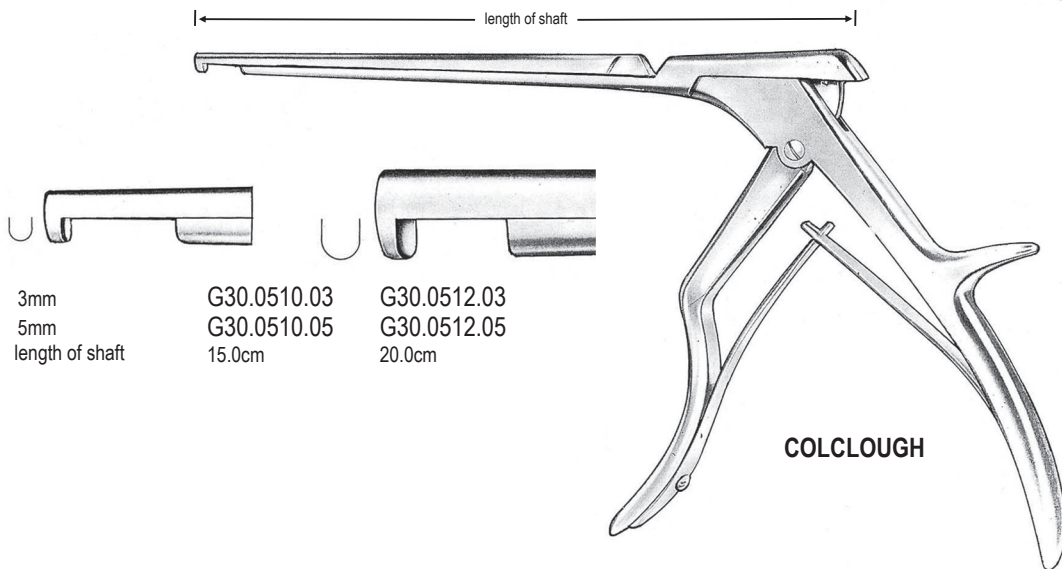
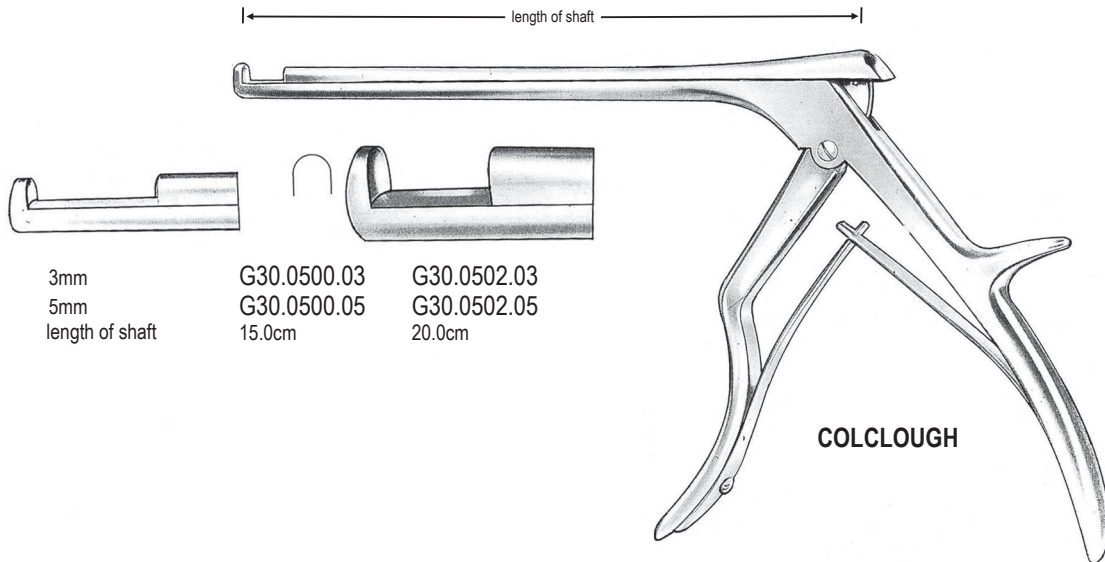




DE Mikro-Instrumente
 EN Micro Instruments
 ES Instrumentos para microcirugia
 AR الأدوات الصغيرة



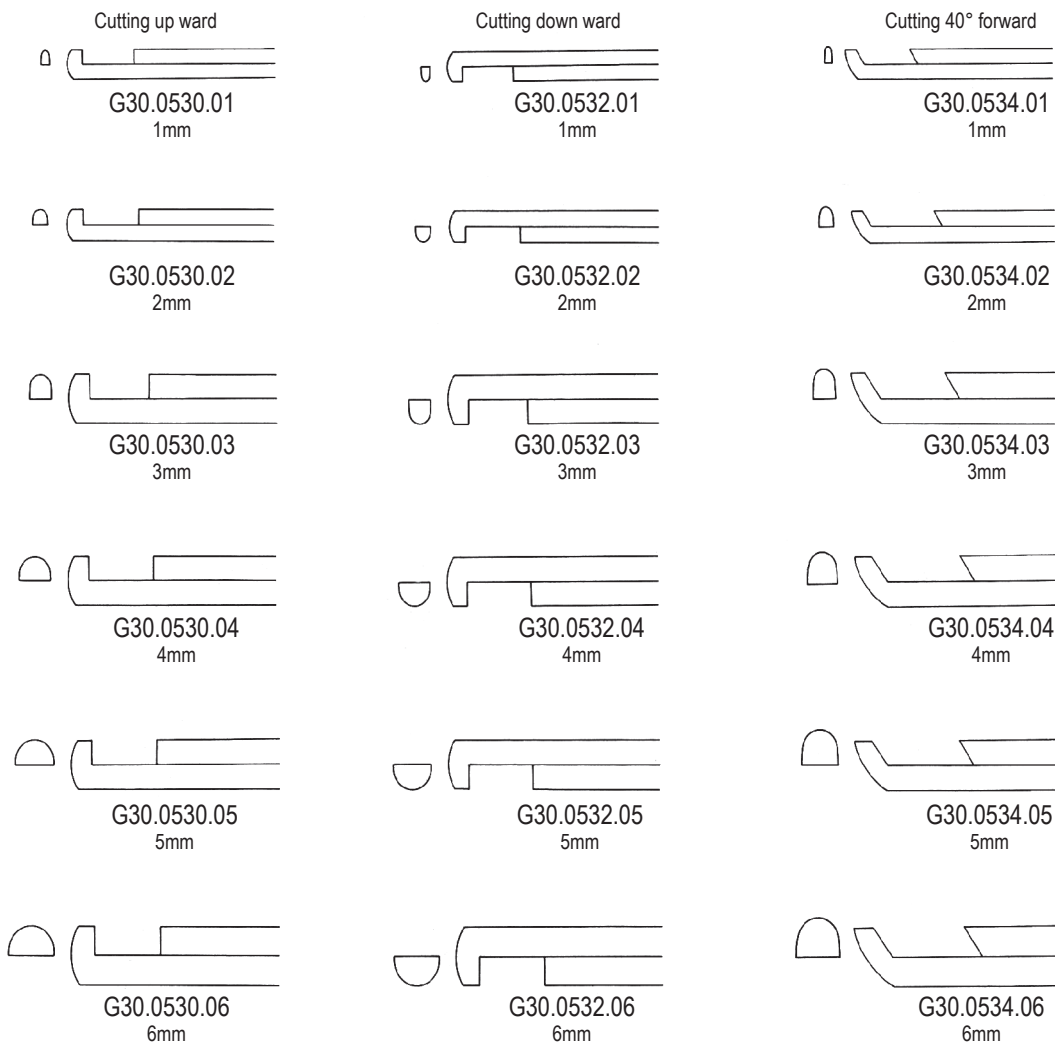
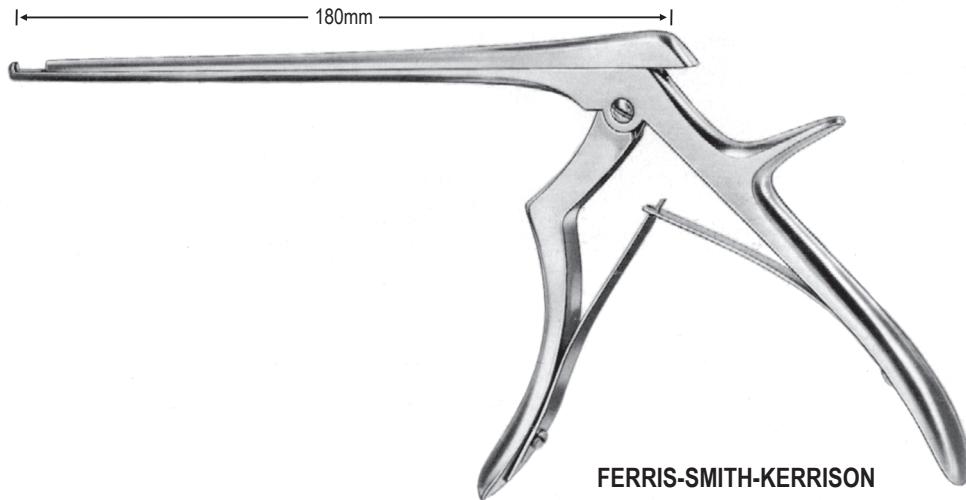
G30.0450.04 **G30-017**



G30-018 G30.0522.05

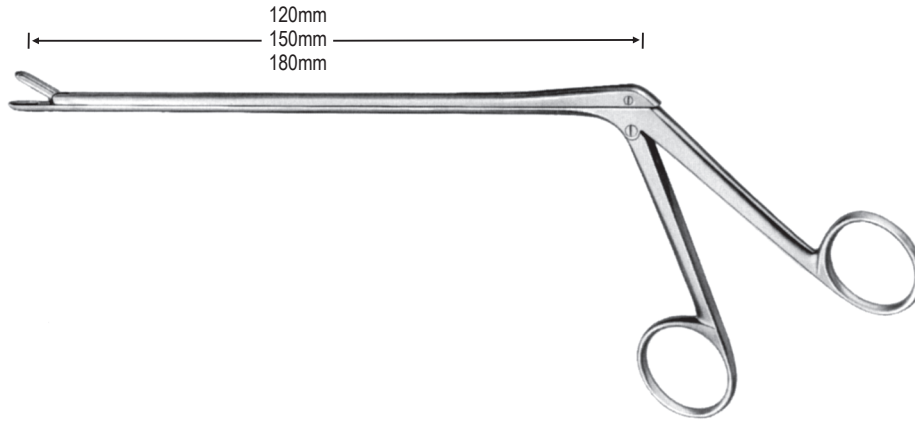


DE Bandscheibenstanzen
 EN Intervertebral Disc Rongeurs
 ES Pinzas cortantes para discos intervertebrales
 AR مقراض القرص الفقريّة

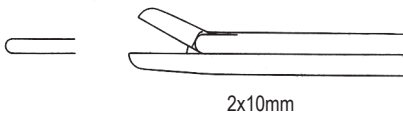


G30.0534.06 **G30-019**

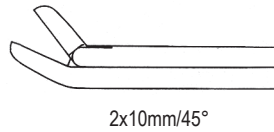




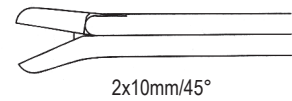
CUSHING
2mm



G30.0540.01 12.0cm
G30.0540.02 15.0cm
G30.0540.03 18.0cm

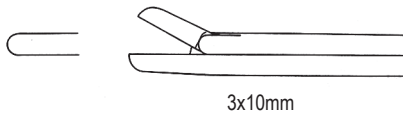


G30.0542.01 12.0cm
G30.0542.02 15.0cm
G30.0542.03 18.0cm

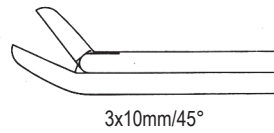


G30.0544.01 12.0cm
G30.0544.02 15.0cm
G30.0544.03 18.0cm

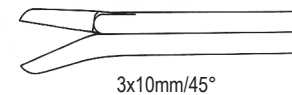
LOVE-GRUENWALD
3mm



G30.0550.01 12.0cm
G30.0550.02 15.0cm
G30.0550.03 18.0cm

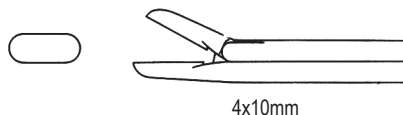


G30.0552.01 12.0cm
G30.0552.02 15.0cm
G30.0552.03 18.0cm

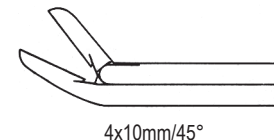


G30.0554.01 12.0cm
G30.0554.02 15.0cm
G30.0554.03 18.0cm

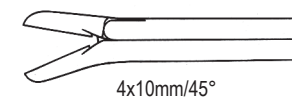
SPURLING
4mm



G30.0560.01 12.0cm
G30.0560.02 15.0cm
G30.0560.03 18.0cm



G30.0562.01 12.0cm
G30.0562.02 15.0cm
G30.0562.03 18.0cm



G30.0564.01 12.0cm
G30.0564.02 15.0cm
G30.0564.03 18.0cm

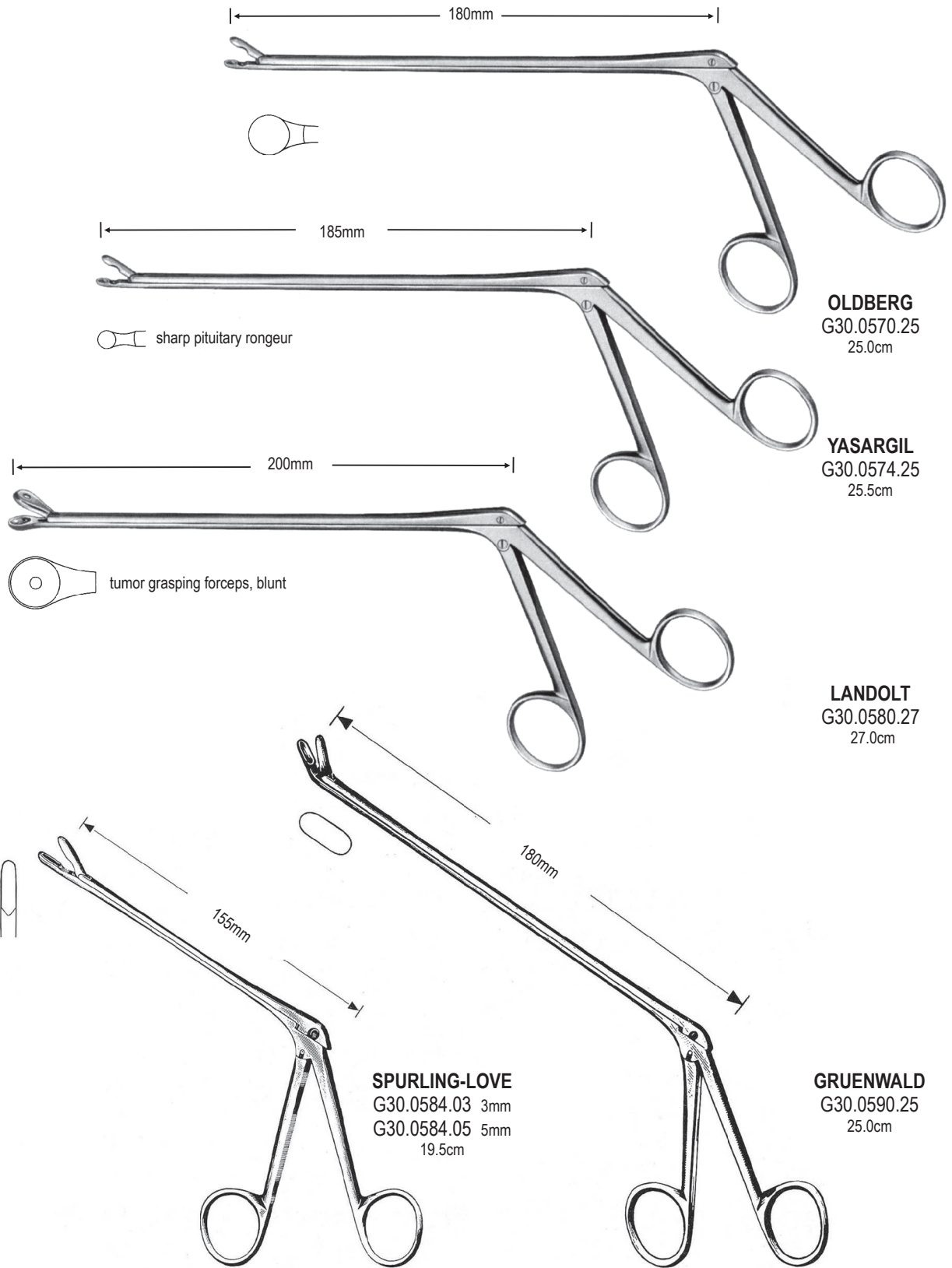


DE Laminektomie-Zangen

EN Laminectomy Rongeurs

ES Pinzas cortantes para laminectomia

AR مقراض استئصال الصفيحة



sharp pituitary rongeur

tumor grasping forceps, blunt

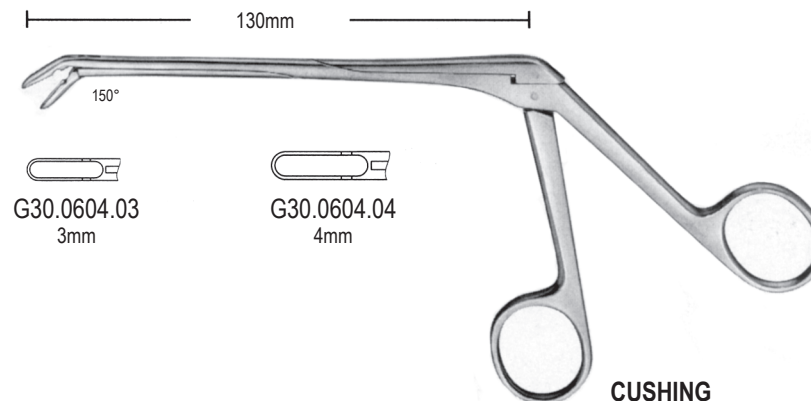
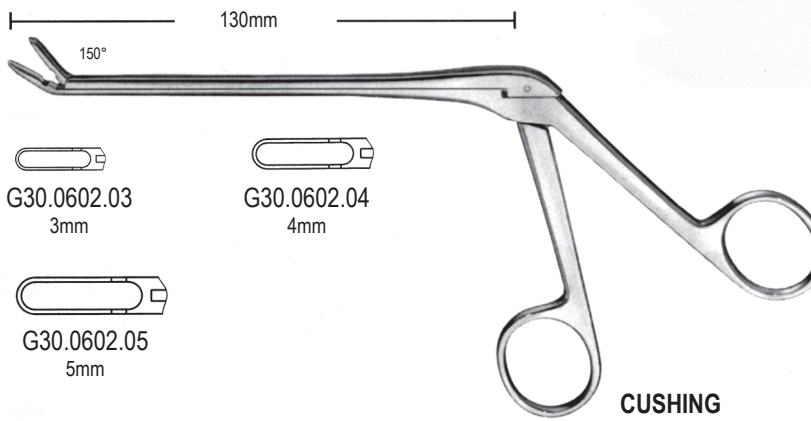
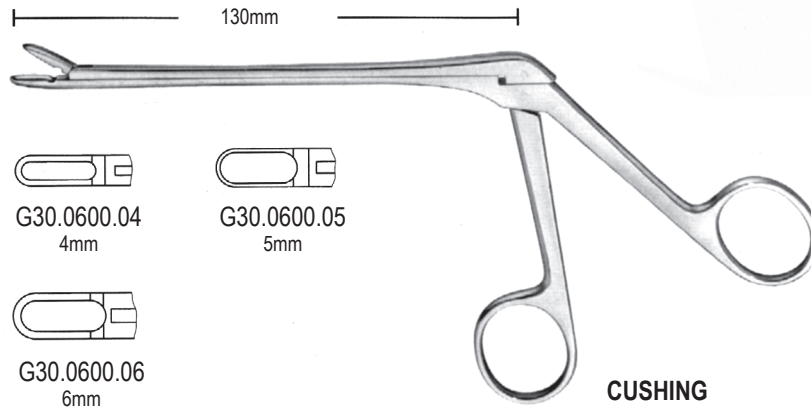
OLDBERG
G30.0570.25
25.0cm

YASARGIL
G30.0574.25
25.5cm

LANDOLT
G30.0580.27
27.0cm

SPURLING-LOVE
G30.0584.03 3mm
G30.0584.05 5mm
19.5cm

GRUENWALD
G30.0590.25
25.0cm

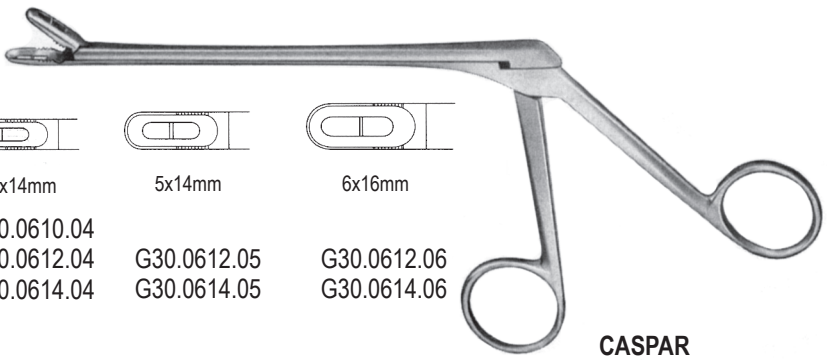




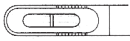

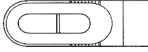
DE **Laminektomie-Zangen**

EN **Laminectomy Rongeurs**

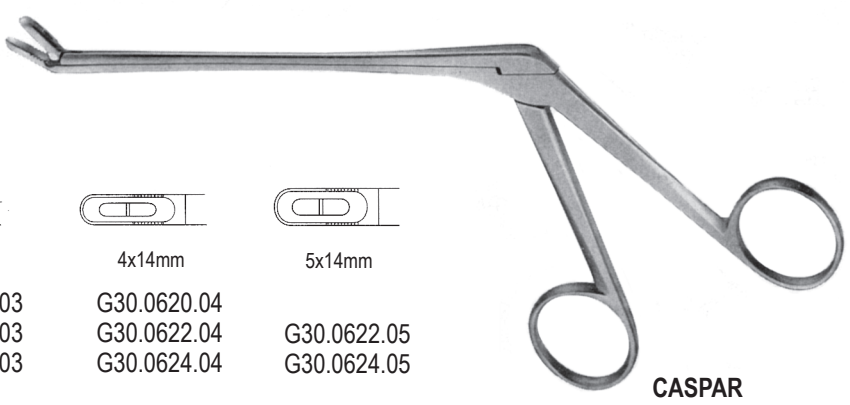
ES **Pinzas cortantes para laminectomia**


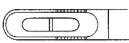
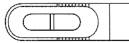
AR **مقراض استئصال الصفيحة**



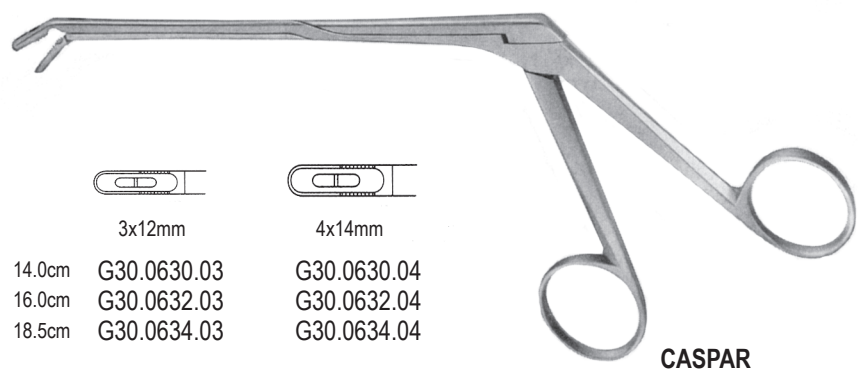
					
	2x12mm	3x12mm	4x14mm	5x14mm	6x16mm
14.0cm	G30.0610.02	G30.0610.03	G30.0610.04		
16.0cm	G30.0612.02	G30.0612.03	G30.0612.04	G30.0612.05	G30.0612.06
18.5cm	G30.0614.02	G30.0614.03	G30.0614.04	G30.0614.05	G30.0614.06



CASPAR



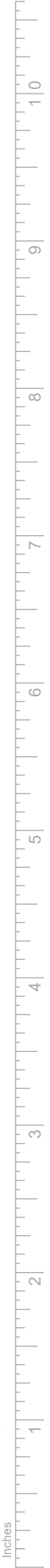
			
	3x12mm	4x14mm	5x14mm
14.0cm	G30.0620.03	G30.0620.04	
16.0cm	G30.0622.03	G30.0622.04	G30.0622.05
18.5cm	G30.0624.03	G30.0624.04	G30.0624.05

CASPAR



		
	3x12mm	4x14mm
14.0cm	G30.0630.03	G30.0630.04
16.0cm	G30.0632.03	G30.0632.04
18.5cm	G30.0634.03	G30.0634.04

CASPAR

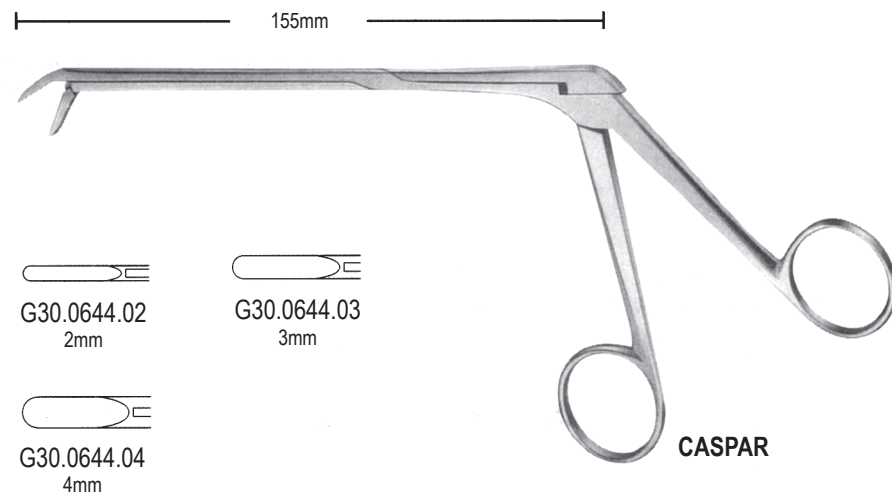
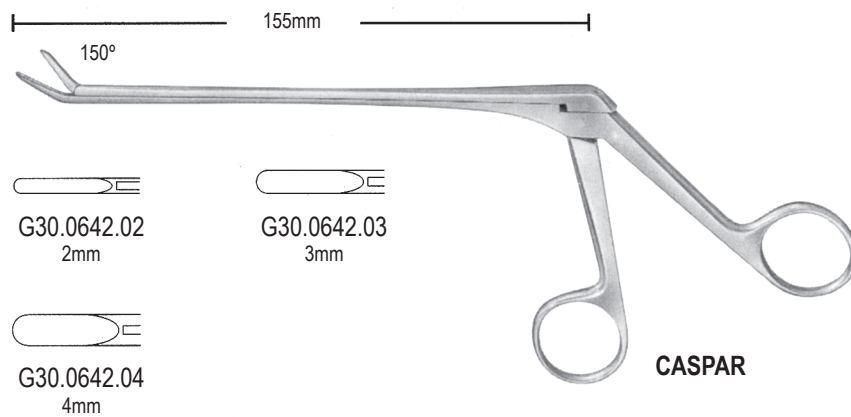
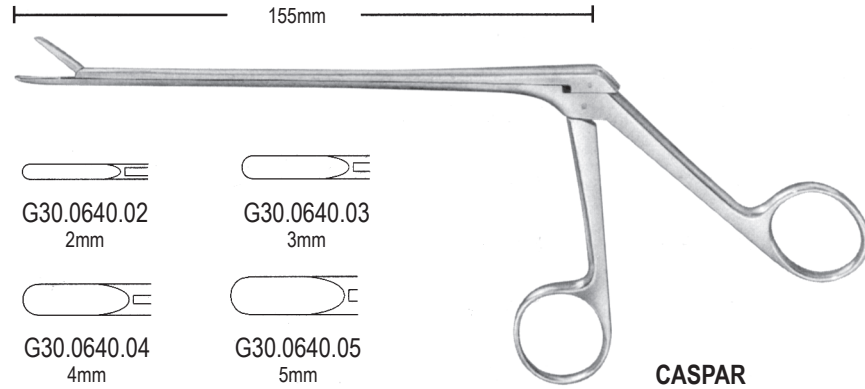


Laminectomie-Zangen DE

Laminectomy Rongeurs EN

Pinzas cortantes para laminectomia ES

مقراض استئصال الصفيحة AR



G30-024 G30.0644.04

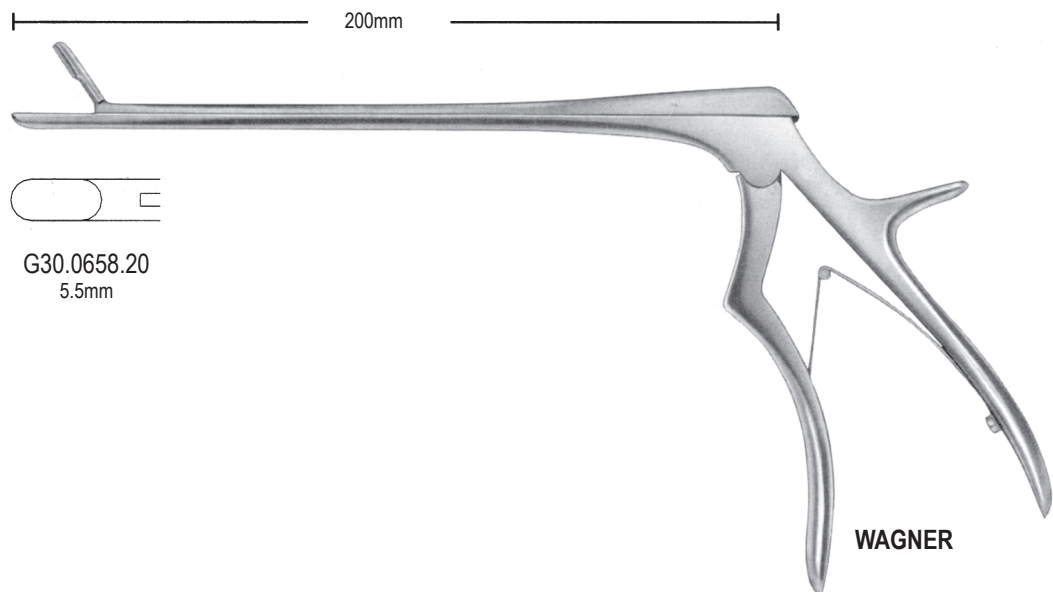
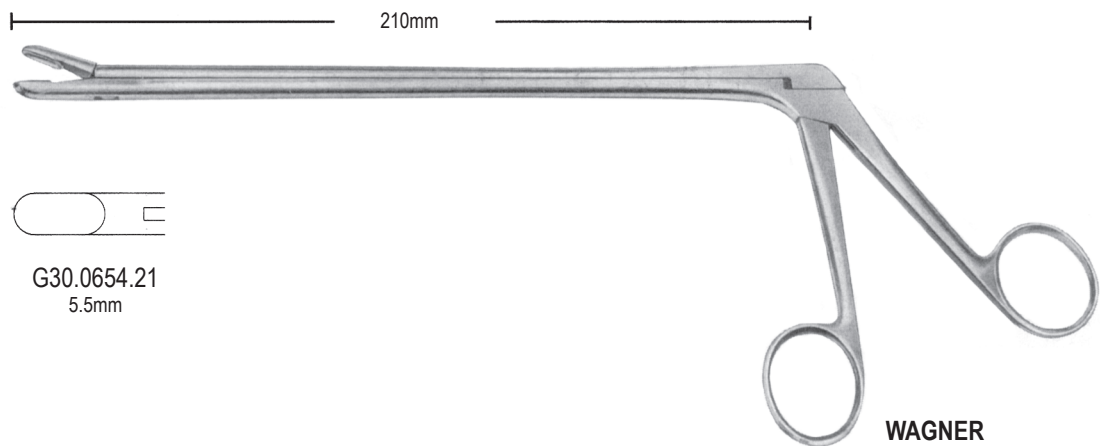
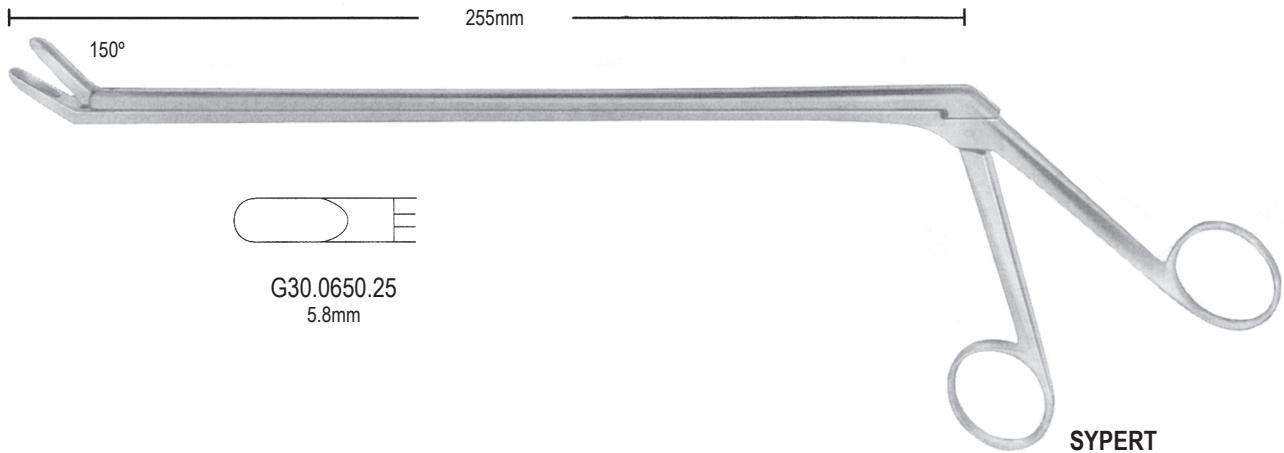


DE Laminektomie-Zangen

EN Laminectomy Rongeurs

ES Pinzas cortantes para laminectomia

AR مقراض استئصال الصفيحة



G30.0658.20 G30-025





www.gsi-medical.de