

- **Medical Equipment**
- **Surgical instruments**

## Wundspreizer and Selbstthalend

DE	Wundspreizer, Selbstthalend
EN	Self Retaining Retractors
ES	Separadores con retenida automatica
AR	الكامشات ذاتي التثبيت

**G19**

PAGE 001 to 031



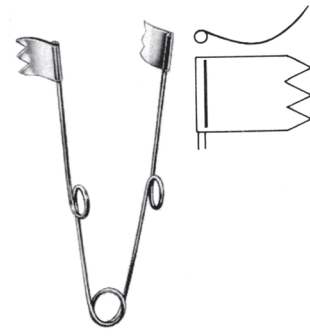
DE Wundspreizer, Selbsthalend  
 EN Self Retaining Retractors  
 ES Separadores con retenida automatica  
 AR الكامشات ذاتي التثبيت



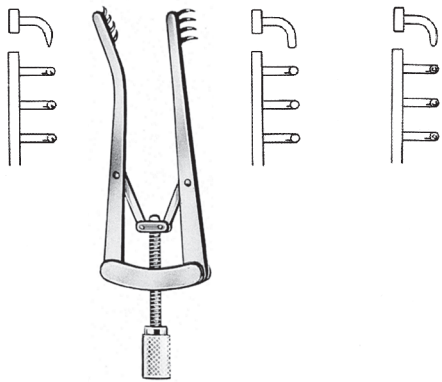
**LOGAN**  
G19.0010.04 4.0cm



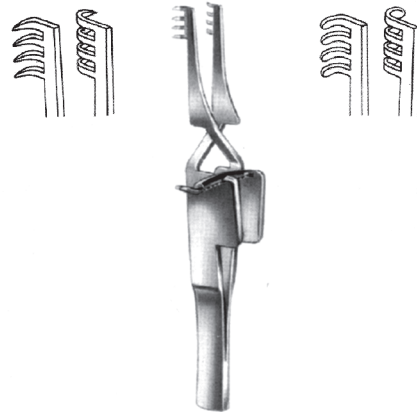
**BUCKLEY**  
G19.0014.06 6.0cm



G19.0020.08 8.0cm



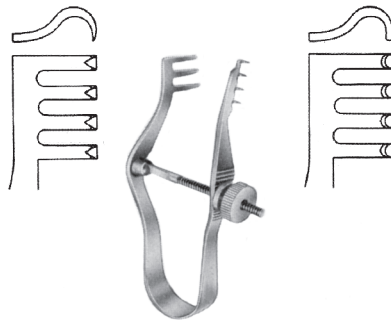
**ALM**  
sharp 7.0cm G19.0030.07  
blunt 10.0cm G19.0032.10



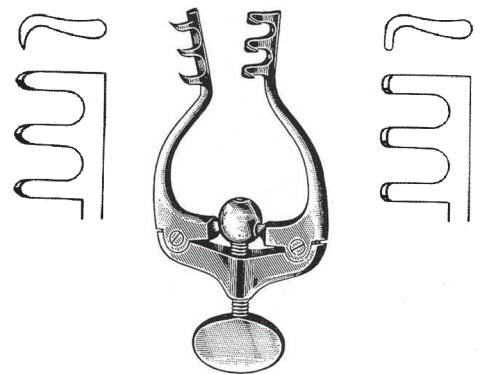
**KAUPP**  
sharp 10.0cm G19.0040.10  
blunt G19.0042.10



**FINSEN**  
sharp 5.0cm G19.0050.05  
blunt 7.0cm G19.0052.07



**FINSEN**  
sharp 5.0cm G19.0054.05  
blunt 7.0cm G19.0056.07



**JANSEN**  
sharp 10.0cm G19.0060.10  
blunt G19.0062.10

G19.0062.10 **G19-001**



# G19

Wundspreizer, Selbthalend DE  
Abdominal Self Retaining Retractors EN  
Separadores con retenida automatica ES  
الكامشات ذاتي التثبيت AR



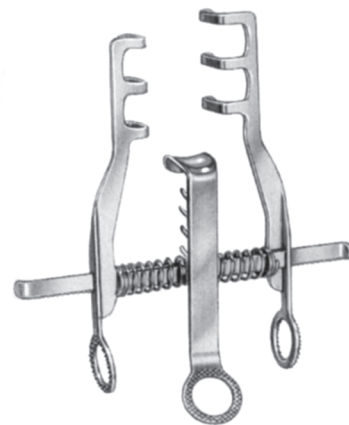
**VICKERS**  
G19.0070.00 5.0cm



**VICKERS** 7.5cm  
G19.0072.00 complete with central blade  
G19.0072.01 10x12mm  
G19.0072.02 10x18mm



**VICKERS** 7.5cm  
G19.0074.00 complete with central blade  
G19.0072.01 10x12mm  
G19.0072.02 10x18mm



**VICKERS** 9.0cm  
G19.0076.00 complete with central blade  
G19.0072.01 10x12mm  
G19.0072.02 10x18mm

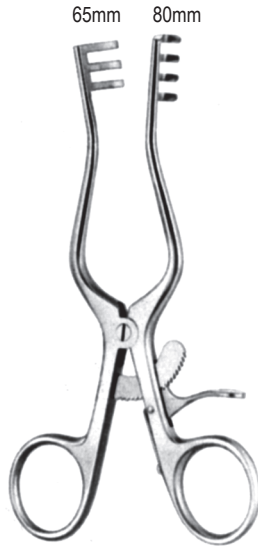
G19-002 G19.0076.02



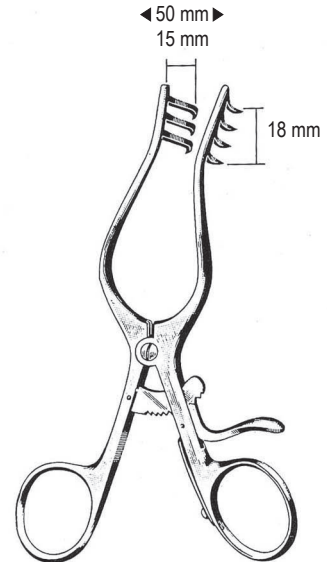
DE Wundspreizer, Selbsthalend  
EN Self Retaining Retractors  
ES Separadores con retenida automatica  
AR الكامشات ذاتي التثبيت



**WEITLANER-LOKTITE**  
sharp blunt  
G19.0080.10 10.5cm G19.0082.10



**WEITLANER**  
sharp blunt  
G19.0084.13 13.0cm G19.0086.13  
G19.0084.14 14.0cm G19.0086.14  
G19.0084.16 16.0cm G19.0086.16



**WEITLANER-WULLSTEIN**  
sharp blunt  
G19.0088.13 13.0cm G19.0089.13



**WEITLANER-WULLSTEIN**  
sharp blunt  
G19.0090.13 13.0cm G19.0092.13



**WEITLANER**  
sharp blunt  
G19.0094.20 20.0cm G19.0096.20  
G19.0094.23 23.0cm G19.0096.23  
G19.0094.26 26.0cm G19.0096.26

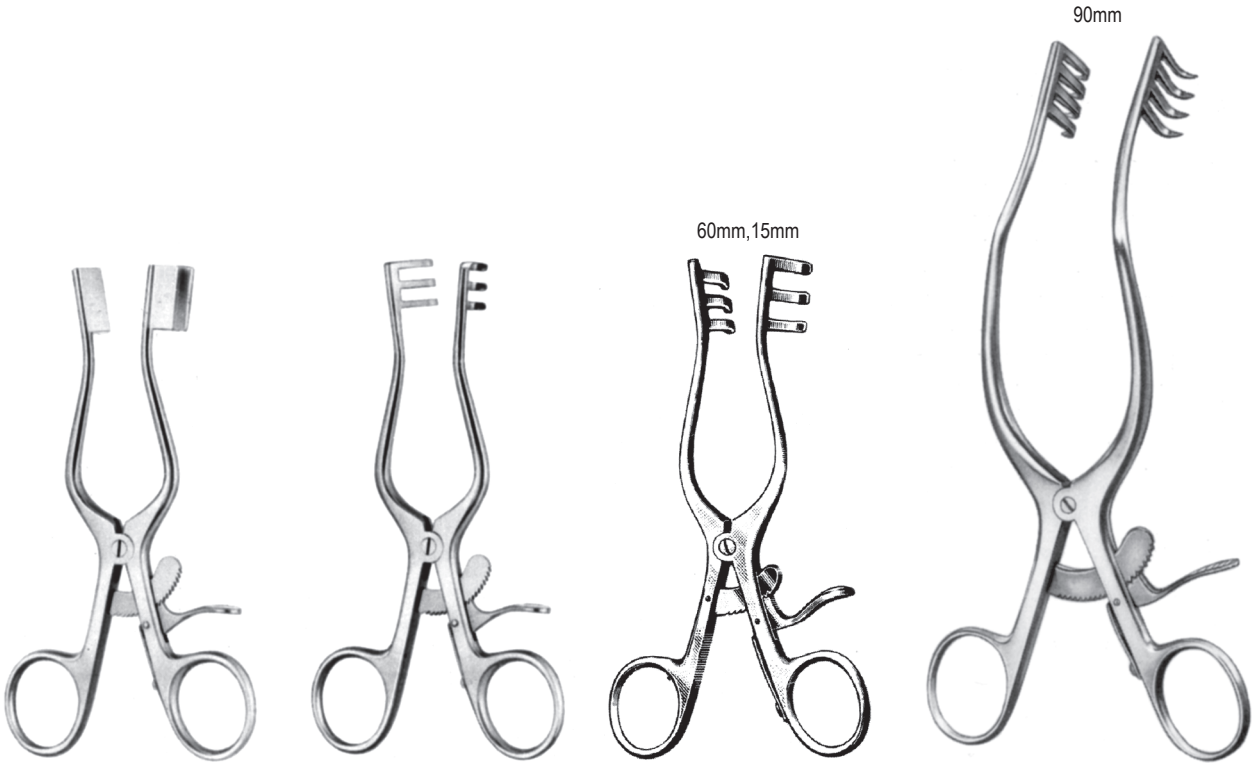


**TRAVERS**  
G19.0100.20 20.0cm  
G19.0100.21 21.0cm



# G19

Wundspreizer, Selbsthalend **DE**  
 Abdominal Self Retaining Retractors **EN**  
 Separadores con retenida automatica **ES**  
 الكامشات ذاتي التثبيت **AR**



**WEITLANER-BABY**  
G19.0104.13 13.0cm

**MILLIGAN**  
G19.0110.13 13.0cm

**WEST**  
sharp 60mm, 15mm  
blunt  
G19.0114.13 13.0cm G19.0116.13

**ANDERSON-ADSON**  
G19.0120.19 19.5cm



**PLESTER**  
sharp 13.0cm blunt  
G19.0124.13 13.0cm G19.0126.13



**PLESTER**  
G19.0130.11 11.0cm



**PLESTER**  
G19.0132.11 11.0cm

G19-004 **G19.0132.11**



DE Wundspreizer, Selbsthalend  
 EN Self Retaining Retractors  
 ES Separadores con retenida automatica  
 AR الكامشات ذاتي التثبيت



**SCALP CONTOUR**  
 sharp blunt  
 G19.0140.14 14.0cm G19.0142.14



**MOLLISON**  
 G19.0150.16 16.5cm



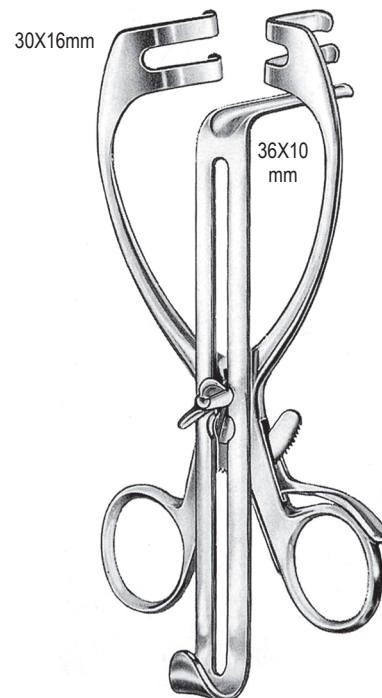
**MOLLISON**  
 G19.0152.15 15.0cm



**RIGBY**  
 G19.0156.18 18.0cm



**MAYO-ADAMS**  
 G19.0160.17 17.0cm



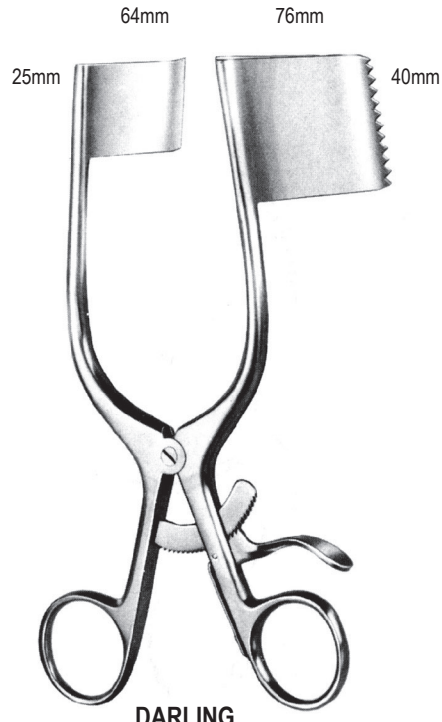
**MAYO-ADAMS**  
 G19.0162.17 17.0cm

G19.0162.17 **G19-005**



# G19

Wundspreizer, Selbsthalend **DE**  
Abdominal Self Retaining Retractors **EN**  
Separadores con retenida automatica **ES**  
الكامشات ذاتي التثبيت **AR**



G19-006 **G19.0176.32**



DE Wundspreizer, Selbsthalend  
EN Self Retaining Retractors  
ES Separadores con retenida automatica  
AR الكامشات ذاتي التثبيت



**GELPI-LOKTITE**  
G19.0180.13 13.0cm



**GELPI**  
G19.0182.09 09.0cm  
G19.0182.14 14.0cm  
G19.0182.16 16.0cm  
G19.0182.18 18.0cm



**GELPI**  
G19.0186.18 18.0cm



**GELPI-SEILETZ**  
G19.0190.15 15.0cm



**GELPI-LOKTITE**  
G19.0194.18 18.0cm



**GELPI-LOKTITE**  
G19.0196.18 18.0cm

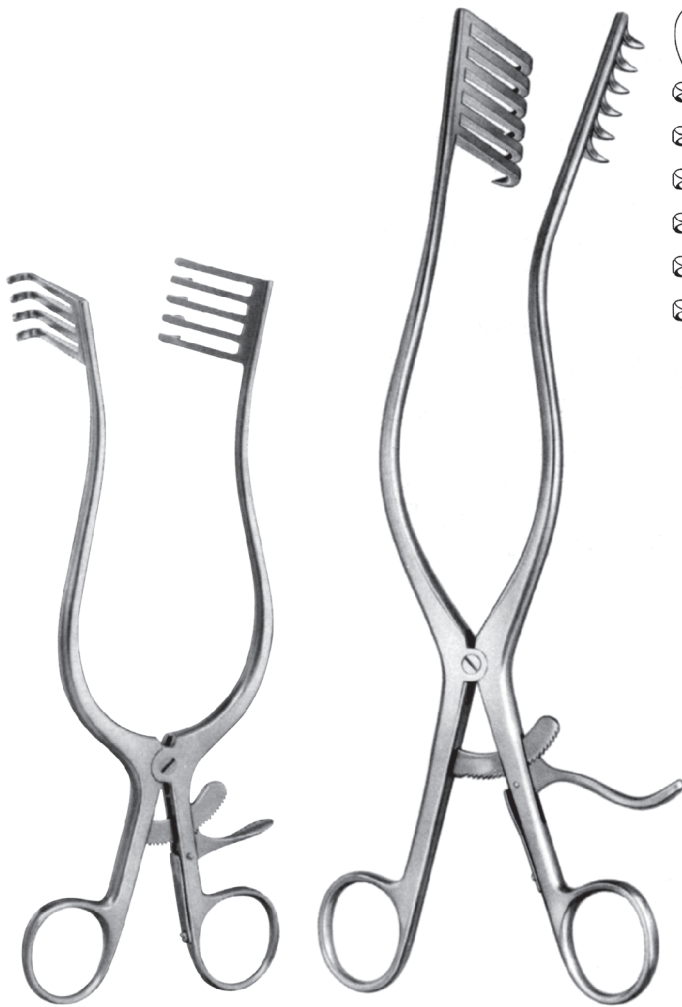
G19.0196.18 **G19-007**





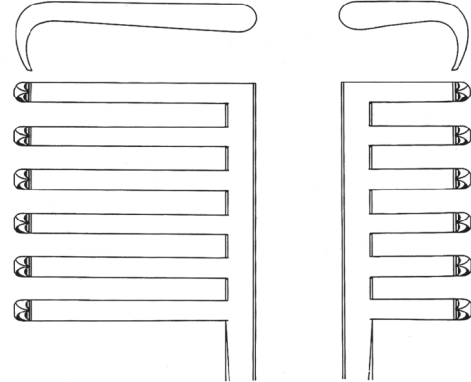
# G19

Wundspreizer, Selbthalend DE  
Abdominal Self Retaining Retractors EN  
Separadores con retenida automatica ES  
الكامشات ذاتي التثبيت AR

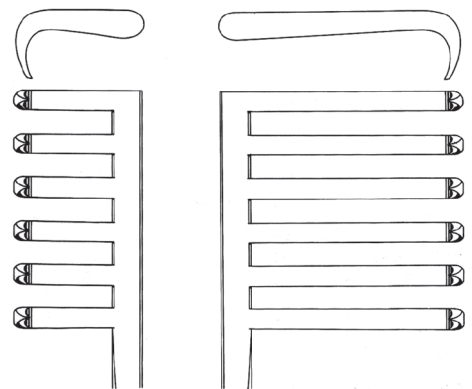


**NORFOLK-NORWICH**  
G19.0200.22 22.0cm

27.0cm



G19.0204.01



G19.0204.02

**G19-008** G19.0204.02



DE Wundspreizer, Selbsthalend  
 EN Self Retaining Retractors  
 ES Separadores con retenida automatica  
 AR الكامشات ذاتي التثبيت



**ADSON**  
 sharp blunt  
 G19.0210.13 13.0cm G19.0212.13  
 G19.0210.16 16.0cm G19.0212.16  
 G19.0210.20 20.0cm G19.0212.20  
 G19.0210.26 26.0cm G19.0212.26

**ADSON**  
 G19.0216.32 32.0cm

**HARVEY JACKSON**  
 G19.0220.28 28.0cm

G19.0220.28 **G19-009**

# G19

Wundspreizer, Selbsthalend DE  
Abdominal Self Retaining Retractors EN  
Separadores con retenida automatica ES  
الكامشات ذاتي التثبيت AR



**BECKMANN**  
G19.0224.31 31.0cm

**BECKMANN-EATON**  
G19.0230.32 32.0cm

**BECKMANN-ADSON**  
sharp 31.0cm blunt  
G19.0234.01 27x27mm G19.0236.01  
G19.0234.02 46x27mm G19.0236.02

G19-010 G19.0236.02

DE Wundspreizer, Selbsthalend  
 EN Self Retaining Retractors  
 ES Separadores con retenida automatica  
 AR الكامشات ذاتي التثبيت



**CLOWARD**  
 16.0cm  
 G19.0240.00 complete  
 G19.0240.01 frame



**CLOWARD**  
 25.0cm  
 G19.0242.00 complete  
 G19.0242.01 frame



**CLOWARD-HOEN**  
 23.0cm  
 G19.0244.00 complete  
 G19.0244.01 frame



G19.0246.40 40x16mm  
 G19.0246.45 45x16mm  
 G19.0246.50 50x16mm  
 G19.0246.55 55x16mm  
 G19.0246.60 60x16mm



G19.0248.40  
 G19.0248.45  
 G19.0248.50  
 G19.0248.55  
 G19.0248.60



# G19

Wundspreizer, Selbsthalend DE  
Abdominal Self Retaining Retractors EN  
Separadores con retenida automatica ES  
الكامشات ذاتي التثبيت AR



**CASPAR**

G19.0254.00 complete  
G19.0254.17 without blade

G19.0254.40 40mm

G19.0254.45 45mm

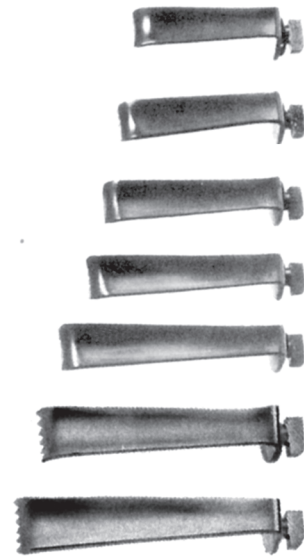
G19.0254.50 50mm

G19.0254.55 55mm

G19.0254.60 60mm

G19.0254.65 65mm

G19.0254.70 70mm



**CASPAR**

G19.0260.45 - G19.0260.65



G19.0260.45 45mm

G19.0260.50 50mm

G19.0260.55 55mm

G19.0260.60 60mm

G19.0260.65 65mm

G19-012 G19.0260.65



DE Wundspreizer, Selbsthalend  
EN Self Retaining Retractors  
ES Separadores con retenida automatica  
AR الكامشات ذاتي التثبيت



**CASPAR**



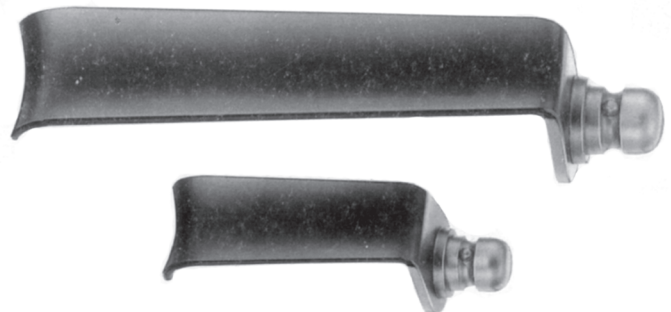
- G19.0262.40 40mm
- G19.0262.45 45mm
- G19.0262.50 50mm
- G19.0262.55 55mm
- G19.0262.60 60mm
- G19.0262.65 65mm
- G19.0262.75 75mm
- G19.0262.85 85mm



**BLADE EJECTOR**  
G19.0266.11 11.5cm



**CASPAR**  
G19.0270.00



- G19.0270.35 35mm
- G19.0270.40 40mm
- G19.0270.45 45mm
- G19.0270.50 50mm
- G19.0270.55 55mm
- G19.0270.60 60mm
- G19.0270.65 65mm
- G19.0270.75 75mm
- G19.0270.85 85mm



# G19

Wundspreizer, Selbsthalend **DE**  
 Abdominal Self Retaining Retractors **EN**  
 Separadores con retenida automatica **ES**  
 الكامشات ذاتي التثبيت **AR**



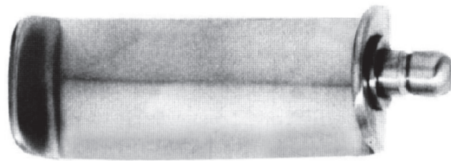
**CASPAR**  
 G19.0274.00 complete  
 G19.0274.15 without blade



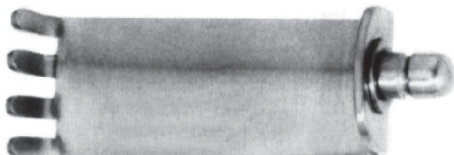
**CASPAR**  
 G19.0276.00 complete  
 G19.0276.15 without blade



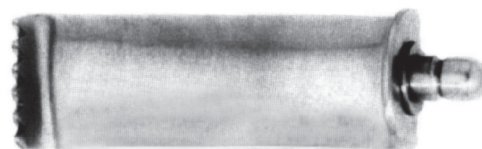
**CASPAR**  
 G19.0280.00 complete  
 G19.0280.01 without blade



G19.0282.45 45x20mm  
 G19.0282.50 50x20mm  
 G19.0282.55 55x20mm  
 G19.0282.60 60x20mm  
 G19.0282.65 65x20mm



G19.0284.40 40x20mm  
 G19.0284.45 45x20mm  
 G19.0284.50 50x20mm  
 G19.0284.55 55x20mm  
 G19.0284.60 60x20mm



G19.0286.40 40x20mm  
 G19.0286.45 45x20mm  
 G19.0286.50 50x20mm  
 G19.0286.55 55x20mm  
 G19.0286.60 60x20mm

**G19-014** G19.0286.60



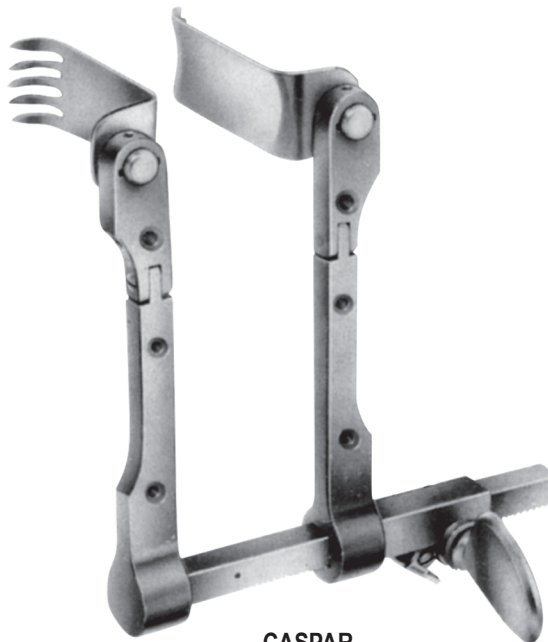
DE Wundspreizer, Selbsthalend  
EN Self Retaining Retractors  
ES Separadores con retenida automatica  
AR الكامشات ذاتي التثبيت



**CASPAR**  
G19.0290.00 complete  
G19.0290.01 without blade  
115mmx85mm



**CASPAR**  
G19.0294.00 complete  
G19.0294.01 without blade  
165mmx90mm



**CASPAR**  
G19.0300.00 complete  
G19.0300.01 without blade  
120mmx90mm

G19.0300.01 **G19-015**





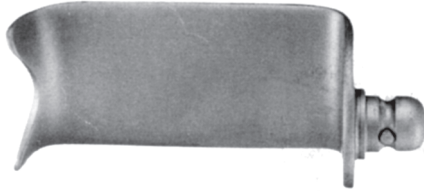
# G19

Wechselvalven DE

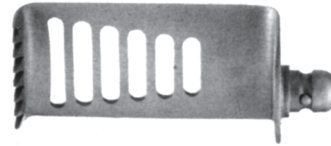
Exchangeable Blades EN

Valvas intercambiables ES

شفرات للصرف AR



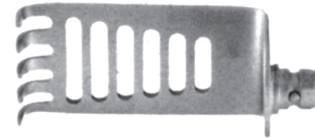
S.STEEL		TITANIUM	
G19.0310.30	30x24mm	G19.9310.30	
G19.0310.35	35x24mm	G19.9310.35	
G19.0310.40	40x24mm	G19.9310.40	
G19.0310.45	45x24mm	G19.9310.45	
G19.0310.50	50x24mm	G19.9310.50	
G19.0310.55	55x24mm	G19.9310.55	
G19.0310.60	60x24mm	G19.9310.60	
G19.0310.65	65x24mm	G19.9310.65	
G19.0310.70	70x24mm	G19.9310.70	
G19.0310.75	75x24mm	G19.9310.75	



S.STEEL		TITANIUM	
G19.0316.25	25x24mm	G19.9316.25	
G19.0316.30	30x24mm	G19.9316.30	
G19.0316.35	35x24mm	G19.9316.35	
G19.0316.40	40x24mm	G19.9316.40	
G19.0316.45	45x24mm	G19.9316.45	
G19.0316.50	50x24mm	G19.9316.50	
G19.0316.55	55x24mm	G19.9316.55	
G19.0316.60	60x24mm	G19.9316.60	
G19.0316.65	65x24mm	G19.9316.65	
G19.0316.70	70x24mm	G19.9316.70	



S.STEEL		TITANIUM	
G19.0312.30	30x23mm	G19.9312.30	
G19.0312.35	35x23mm	G19.9312.35	
G19.0312.40	40x23mm	G19.9312.40	
G19.0312.45	45x23mm	G19.9312.45	
G19.0312.50	50x23mm	G19.9312.50	
G19.0312.55	55x23mm	G19.9312.55	
G19.0312.60	60x23mm	G19.9312.60	
G19.0312.65	65x23mm	G19.9312.65	
G19.0312.70	70x23mm	G19.9312.70	
G19.0312.75	75x23mm	G19.9312.75	



S.STEEL		TITANIUM	
G19.0318.25	25x24mm	G19.9318.25	
G19.0318.30	30x24mm	G19.9318.30	
G19.0318.35	35x24mm	G19.9318.35	
G19.0318.40	40x24mm	G19.9318.40	
G19.0318.45	45x24mm	G19.9318.45	
G19.0318.50	50x24mm	G19.9318.50	
G19.0318.55	55x24mm	G19.9318.55	
G19.0318.60	60x24mm	G19.9318.60	
G19.0318.65	65x24mm	G19.9318.65	
G19.0318.70	70x24mm	G19.9318.70	



S.STEEL		TITANIUM	
G19.0314.30	30x23mm	G19.9314.30	
G19.0314.35	35x23mm	G19.9314.35	
G19.0314.40	40x23mm	G19.9314.40	
G19.0314.45	45x23mm	G19.9314.45	
G19.0314.50	50x23mm	G19.9314.50	
G19.0314.55	55x23mm	G19.9314.55	
G19.0314.60	60x23mm	G19.9314.60	
G19.0314.65	65x23mm	G19.9314.65	
G19.0314.70	70x23mm	G19.9314.70	
G19.0314.75	75x23mm	G19.9314.75	



S.STEEL		TITANIUM	
G19.0320.50	50x25mm	G19.9320.50	
G19.0320.60	60x25mm	G19.9320.60	

G19-016 G19.0336.60



DE Laminektomiespreizer

EN Laminectomy Retractors

ES Separadores para laminectomia

AR الكامشات استئصال الصفيحة الفقرية



**CASPAR**  
G19.0340.00 complete  
G19.0340.01 without blades



**CASPAR**  
G19.0344.00 complete  
G19.0344.01 without blades



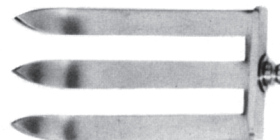
**CASPAR**  
G19.0350.50 50mm



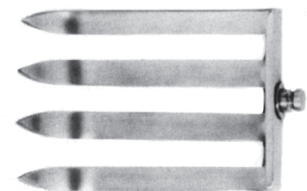
**CASPAR**  
G19.0350.70 70mm



G19.0352.35 35x22mm  
G19.0352.40 40x22mm  
G19.0352.45 45x22mm  
G19.0352.50 50x22mm  
G19.0352.55 55x22mm  
G19.0352.60 60x22mm  
G19.0352.65 65x22mm  
G19.0352.70 70x22mm



G19.0354.35 35x37mm  
G19.0354.40 40x37mm  
G19.0354.45 45x37mm  
G19.0354.50 50x37mm  
G19.0354.55 55x37mm  
G19.0354.60 60x37mm  
G19.0354.65 65x37mm  
G19.0354.70 70x37mm



G19.0356.35 35x52mm  
G19.0356.40 40x52mm  
G19.0356.45 45x52mm  
G19.0356.50 50x52mm  
G19.0356.55 55x52mm  
G19.0356.60 60x52mm  
G19.0356.65 65x52mm  
G19.0356.70 70x52mm

G19.0356.70 **G19-017**



# G19

Hemilminektomiespreizer DE

Hemilaminectomy Retractors EN

Separadores para hemilaminectomia ES

الكامشات استئصال شق الصفيحة الفقرية AR



**TEMPLE-FAY**  
G19.0360.00  
48x40x110mm



G19.0364.01 45mm  
G19.0364.02 60mm  
G19.0364.03 45mm  
G19.0364.04 60mm

G19.0364.05 60mm

**TEMPLE-FAY-ULRICH**  
G19.0364.00



**BADGLEY**

G19.0370.00 55x44x165 mm  
G19.0372.00 60x44x165 mm

**G19-018** G19.0372.00

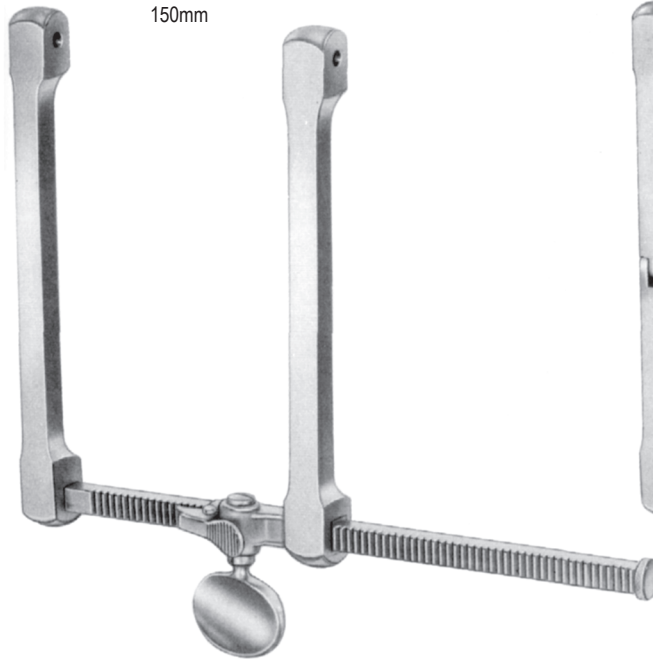


DE Laminektomiespreizer

EN Laminectomy Retractors

ES Separadores para laminectomia

AR الكامشات استئصال الصفيحة الفقرية



**SCOVILLE**  
G19.0380.00 frame only



**SCOVILLE-HAVERFIELD**  
G19.0382.00 frame only



**SCOVILLE**  
G19.0384.50  
50mm



**SCOVILLE**  
G19.0384.70  
70mm



**SCOVILLE**  
G19.0386.50  
50mm



**SCOVILLE**  
G19.0386.70  
70mm



**SCOVILLE**  
G19.0388.01 64x25mm  
G19.0388.02 64x50mm  
G19.0388.03 88x25mm



**SCOVILLE**  
G19.0390.01 41x38mm  
G19.0390.02 67x44mm



**TAYLOR**  
G19.0392.01 48x50mm  
G19.0392.02 64x50mm  
G19.0392.03 64x64mm  
G19.0392.04 80x57mm

G19.0392.04 **G19-019**



# G19

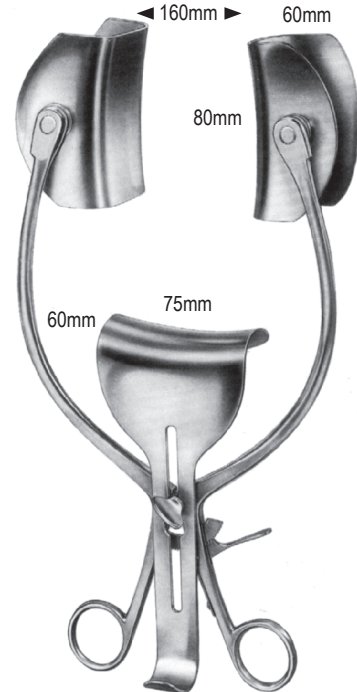
Bauchdeckenhalter DE  
Abdominal Retractors EN  
Separadores abdominales ES  
الكامشات البطن AR



**COLLIN**  
G19.0400.00  
with 1 pair of blades  
38x60mm



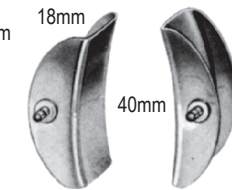
**COLLIN**  
lateral blades 38x60mm G19.0402.00 central blades 38x55mm  
38x80mm G19.0404.00 50x76mm



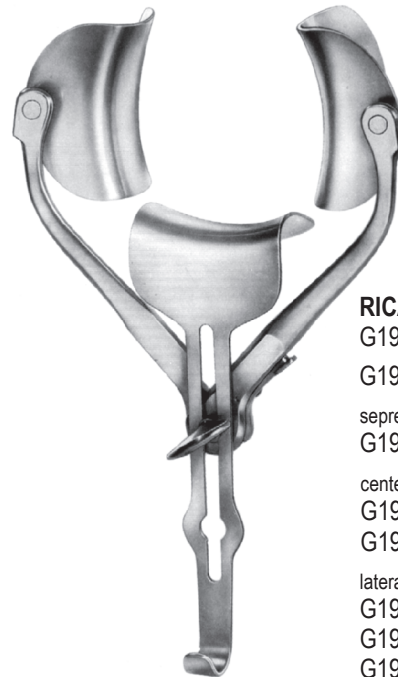
**COLLIN**  
26.0cm  
G19.0406.00 complete  
G19.0406.01 central blade 60x75mm



**BABY-COLLIN**  
G19.0410.00  
complete set with 2 pairs of blades



**COLLIN** lateral blades  
G19.0410.18 18x40mm  
G19.0410.27 27x40mm

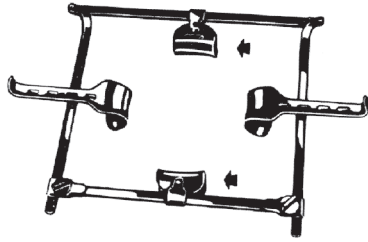


**RICARD** complete  
G19.0420.00 28.0cm  
G19.0422.00 30.0cm  
sepreader only  
G19.0424.01  
central blades  
G19.0426.01 55x70mm  
G19.0426.02 80x90mm  
lateral blades  
G19.0430.40 50x58mm  
G19.0430.45 60x80mm  
G19.0430.60 72x85mm

G19-020 G19.0430.60



DE Austauschbare Seitenvalen für Bauchdeckenhalter und Rippensperrer  
 EN Exchangeable Lateral Blades For Abdominal Reactors and Ribs Spreaders  
 ES Valvas laterales intercambiables para separadores abdominales y de costillas  
 AR أرياش الجانبي للصرف الكامشات البطن و الموزعات الضلع



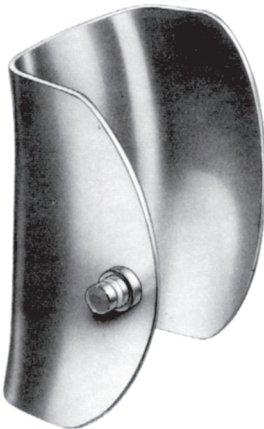
G19.0430.45



G19.0410.00



G19.0400.00



- G19.0428.50 18x40mm
- G19.0428.52 27x40mm
- G19.0428.70 38x60mm
- G19.0428.80 40x80mm
- G19.0428.90 45x80mm
- G19.0428.92 50x70mm
- G19.0428.94 60x80mm



- G19.0430.18 50x70mm
- G19.0430.27 52x110mm
- G19.0430.38 70x55mm
- G19.0430.39 80x90mm
- G19.0430.40 50x58mm
- G19.0430.45 60x80mm
- G19.0430.60 72x85mm



G19.0402.00  
G19.0404.00



G19.0406.00

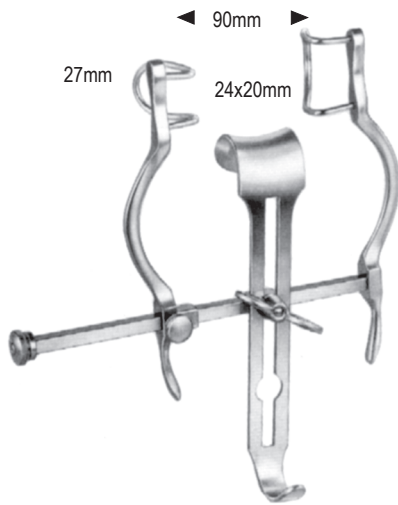


G19.0420.00  
G19.0422.00

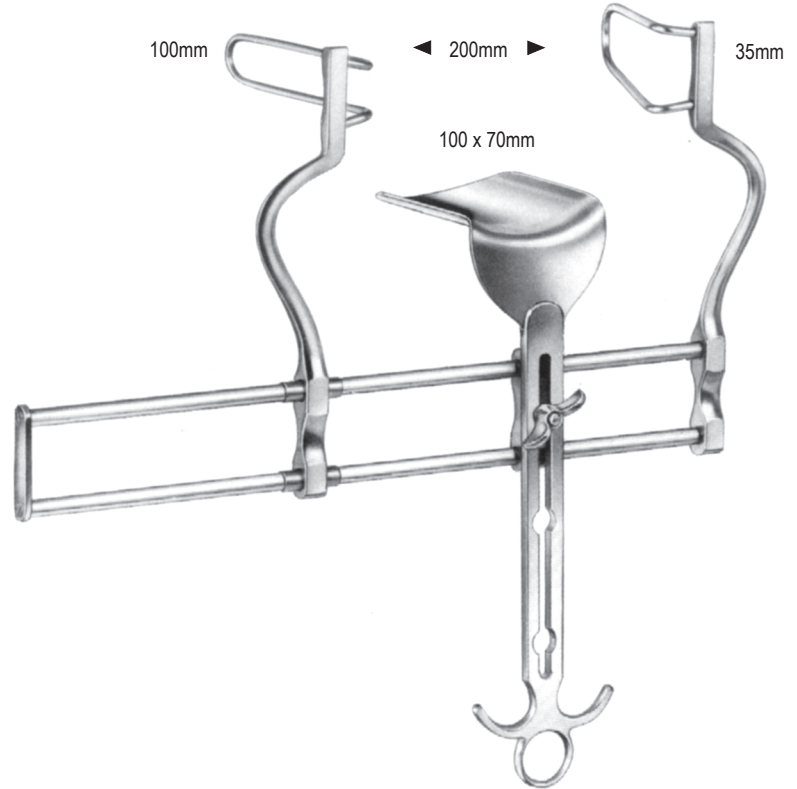


# G19

Bauchdeckenhalter DE  
Abdominal Retractors EN  
Separadores abdominales ES  
الكامشات البطن AR



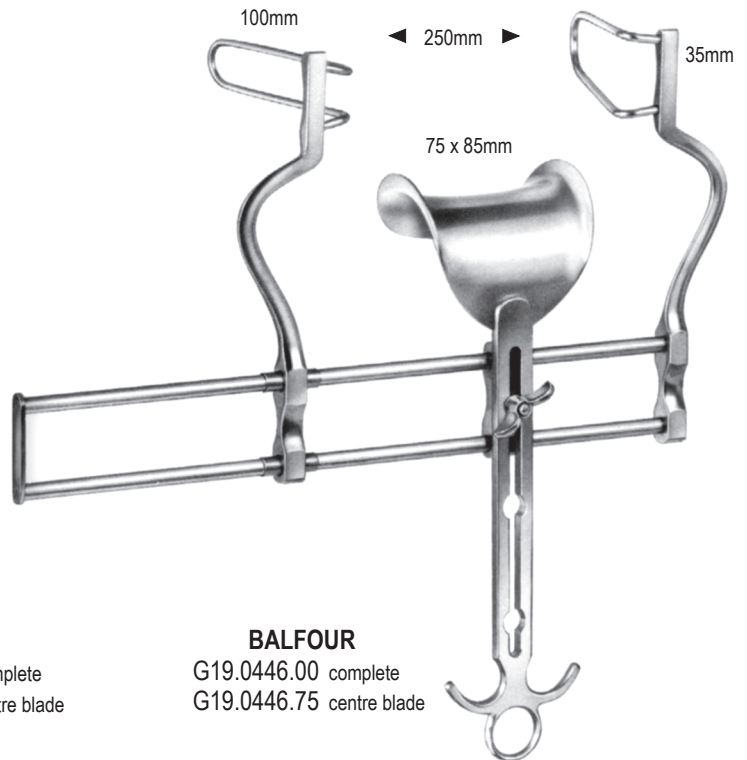
**BALFOUR-BABY**  
G19.0440.00 complete  
G19.0440.24 centre blade



**BALFOUR**  
G19.0442.00 complete  
G19.0442.10 centre blade



**BALFOUR**  
G19.0444.00 complete  
G19.0444.45 centre blade

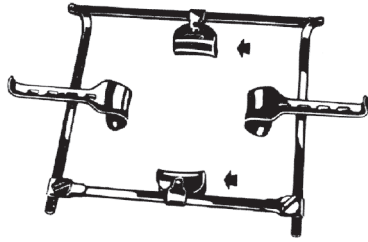


**BALFOUR**  
G19.0446.00 complete  
G19.0446.75 centre blade

G19-022 G19.0446.75



DE Austauschbare Seitenvalen für Bauchdeckenhalter und Rippensperrer  
 EN Exchangeable Lateral Blades For Abdominal Reactors and Ribs Spreaders  
 ES Valvas laterales intercambiables para separadores abdominales y de costillas  
 AR أرياش الجانبي للصرف الكامشات البطن و الموزعات الضلع



G19.0430.45



G19.0410.00



G19.0400.00



- G19.0428.50 18x40mm
- G19.0428.52 27x40mm
- G19.0428.70 38x60mm
- G19.0428.80 40x80mm
- G19.0428.90 45x80mm
- G19.0428.92 50x70mm
- G19.0428.94 60x80mm



- G19.0430.18 50x70mm
- G19.0430.27 52x110mm
- G19.0430.38 70x55mm
- G19.0430.39 80x90mm
- G19.0430.40 50x58mm
- G19.0430.45 60x80mm
- G19.0430.60 72x85mm



G19.0402.00  
G19.0404.00



G19.0406.00



G19.0420.00  
G19.0422.00





# G19

Wundhaken DE

Retractors EN

Separadores ES

الكامشات AR



G19.0470.08  
8cm blade pair



**BALFOUR US-TYPE**  
G19.0470.00



G19.0470.06  
6cm blade pair

G19-024 G19.0470.06



DE Mittelblatt allein  
EN Center Blade Only  
ES Valva central suelta  
AR ريش وسط فقط



**BALFOUR**

G19.0480.80 80x90mm

**DOYEN**

G19.0482.95 55x95mm  
G19.0482.10 55x105mm  
G19.0482.11 55x115mm  
G19.0482.12 55x125mm

**BALFOUR**

G19.0484.40 40x68mm  
G19.0484.68 68x85mm

**BALFOUR**

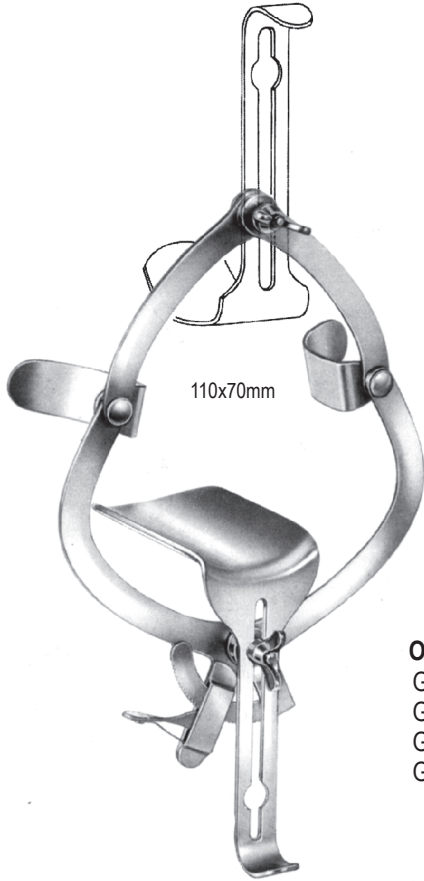
G19.0486.68 68x85mm

G19.0486.68 **G19-025**



# G19

Bauchdeckenhalter DE  
Abdominal Retractors EN  
Separadores abdominales ES  
الكامشات البطن AR

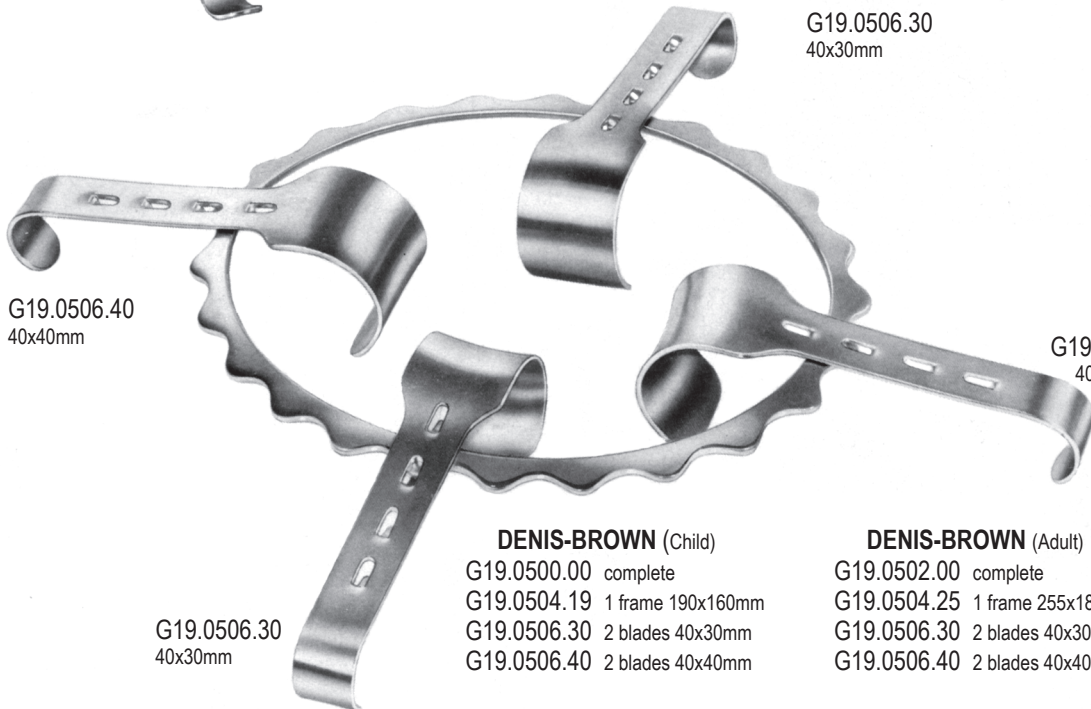


### O'SULLIVAN-O'CONNOR

- G19.0490.00 set
- G19.0490.01 frame
- G19.0490.02 blade
- G19.0490.03 blade 110x70mm



G19.0490.04  
80x45mm



### DENIS-BROWN (Child)

- G19.0500.00 complete
- G19.0504.19 1 frame 190x160mm
- G19.0506.30 2 blades 40x30mm
- G19.0506.40 2 blades 40x40mm

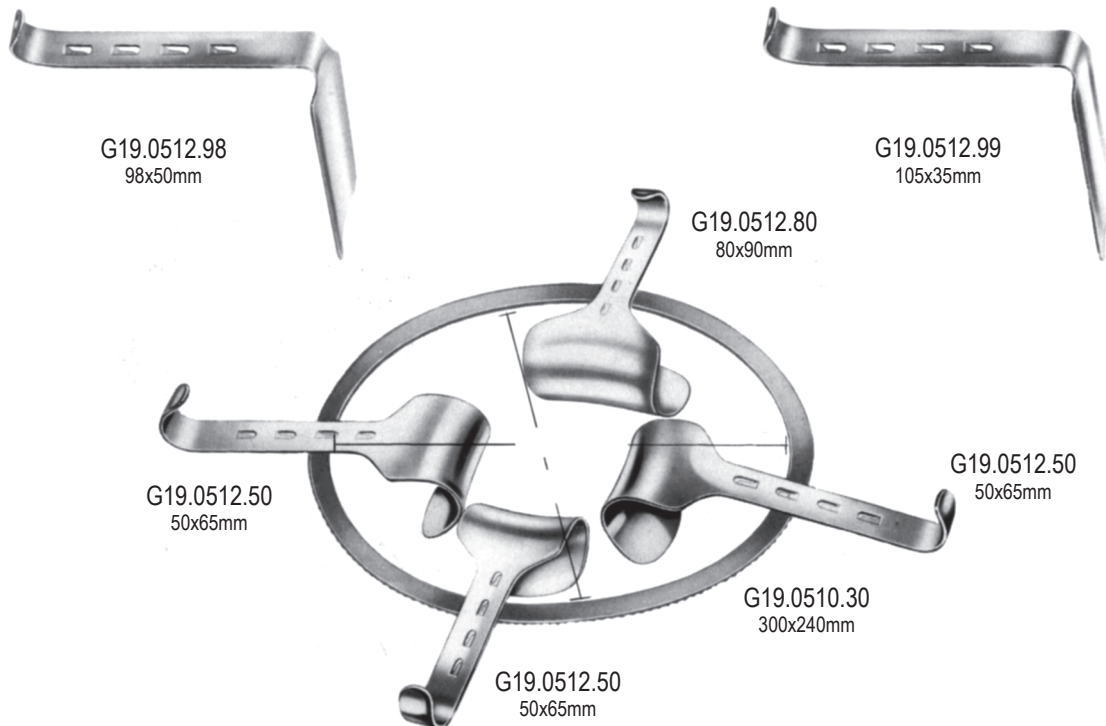
### DENIS-BROWN (Adult)

- G19.0502.00 complete
- G19.0504.25 1 frame 255x180mm
- G19.0506.30 2 blades 40x30mm
- G19.0506.40 2 blades 40x40mm

DE Bauchdeckenhalter  
 EN Abdominal Retractors  
 ES Separadores abdominales  
 AR الكامشات البطن



G19.0512.40 40x55mm    G19.0512.50 50x65mm    G19.0512.60 60x85mm    G19.0512.78 78x65mm    G19.0512.80 80x90mm    G19.0512.98 98x50mm    G19.0512.99 105x35mm



G19.0512.98  
98x50mm

G19.0512.99  
105x35mm

G19.0512.80  
80x90mm

G19.0512.50  
50x65mm

G19.0512.50  
50x65mm

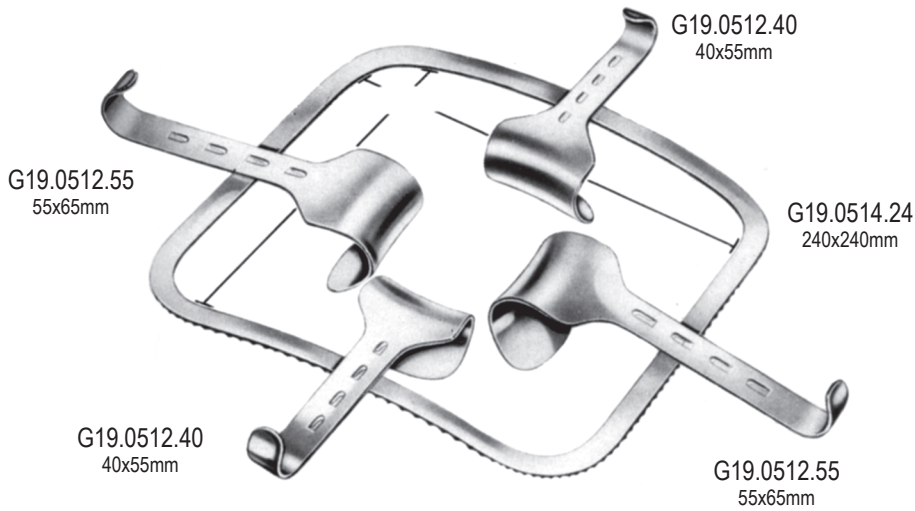
G19.0510.30  
300x240mm

G19.0512.50  
50x65mm

**KIRSCHNER, OVAL**

- G19.0510.00 complete
- G19.0510.30 1 frame 300x240mm
- G19.0512.50 3 hook-on retractors, 50x65mm
- G19.0512.80 1 blade, 80x90mm
- G19.0512.98 1 blade, 98x50mm
- G19.0512.99 1 blade, 105x35mm





### KIRCHNER

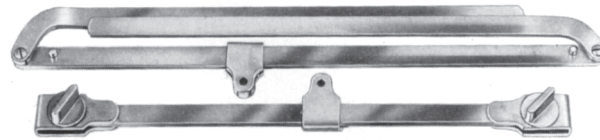
- G19.0514.00 complete
- G19.0514.24 1 frame, rigid, 240x240mm
- G19.0512.40 2 hook-on retractors, 40x55mm
- G19.0512.55 2 hook-on retractors, 55x65mm



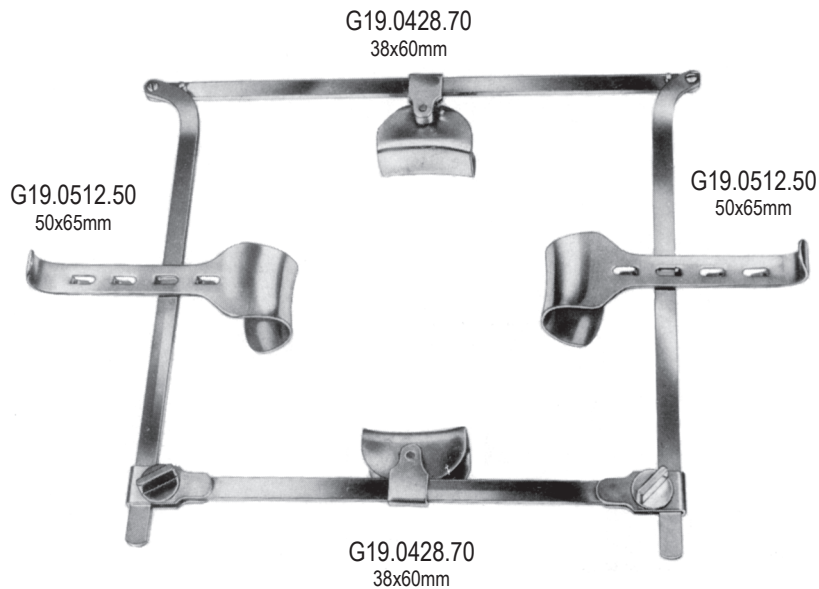
### KIRCHNER

- G19.0516.00 complete
- G19.0516.28 1 folding frame, 280x280mm
- G19.0512.40 2 blades, 40x55mm
- G19.0512.50 2 blades, 50x65mm

DE Bauchdeckenhalter  
 EN Abdominal Retractors  
 ES Separadores abdominales  
 AR الكامشات البطن

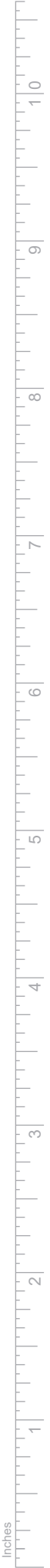


**FOLDING FRAME**  
G19.0520.30 300x300mm



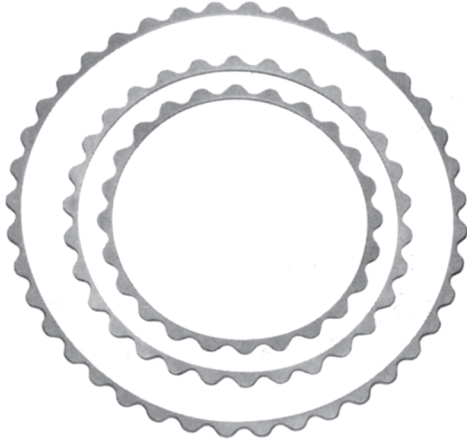
**FRANZ**  
 G19.0520.00 abdominal retractor, set folding complete consisting of;  
 G19.0520.30 1 frame, folding 300x300mm  
 G19.0428.70 2 exchangeable blades 38x60mm  
 G19.0512.50 2 hook-on retractor 50x65mm

**FRANZ**  
 G19.0522.00 abdominal retractor, set folding complete consisting of;  
 G19.0520.30 1 frame, folding 300x300mm  
 G19.0428.70 2 exchangeable blades 38x60mm  
 G19.0528.90 2 exchangeable blades 45x80mm  
 G19.0512.50 2 hook-on retractor 50x65mm  
 G19.0512.60 2 hook-on retractor 60x85mm



# G19

Bauchdeckenhalter DE  
Abdominal Retractors EN  
Separadores abdominales ES  
الكامشات البطن AR



**TURNER-WARWICK**  
G19.0530.18 18.5cm  
G19.0530.23 23.0cm  
G19.0530.30 30.0cm

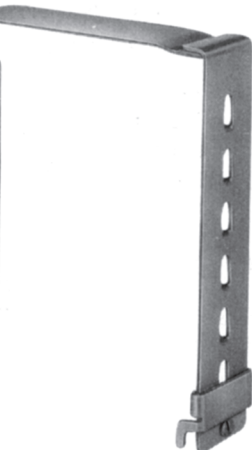


**TURNER-WARWICK**  
G19.0532.01  
460x330mm

**TURNER-WARWICK**  
G19.0532.00 complete



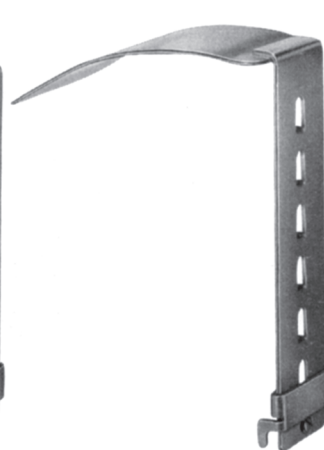
G19.0534.01  
75x20mm



G19.0534.02  
100x40mm



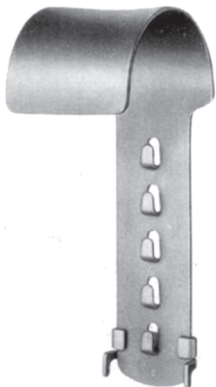
G19.0534.03  
90x58mm



G19.0534.04  
115x58mm



G19.0534.05  
50x40mm



G19.0534.06  
75x60mm



G19.0534.07  
90x60mm



G19.0534.08  
114x60mm



G19.0534.09  
13mm (hook)

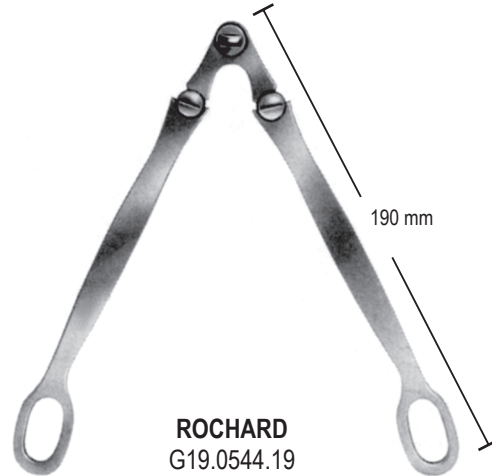
**G19-030** G19.0534.09



DE Bauchdeckenhalter  
EN Abdominal Retractors  
ES Separadores abdominales  
AR الكامشات البطن

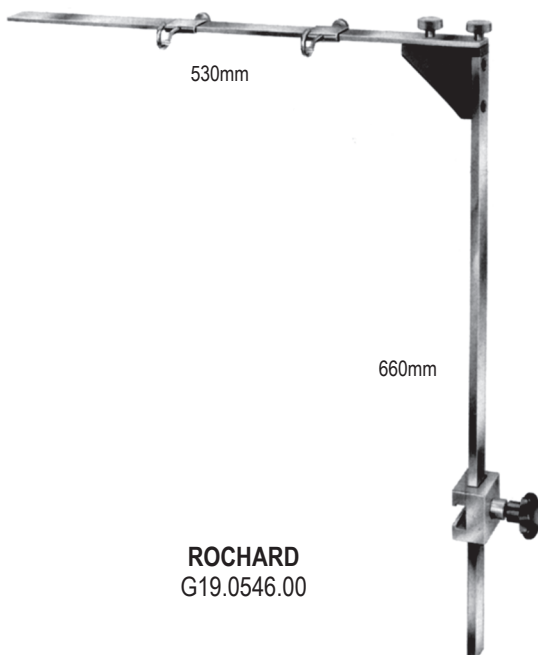


**ROCHARD**  
310mm

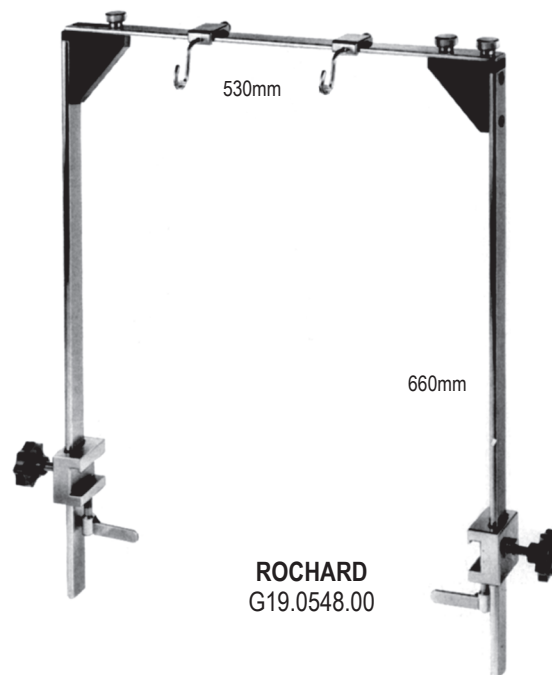


**ROCHARD**  
G19.0544.19

- |                      |                       |
|----------------------|-----------------------|
| G19.0540.01 48x90mm  | G19.0540.08 80x155mm  |
| G19.0540.02 48x105mm | G19.0540.09 100x100mm |
| G19.0540.03 48x120mm | G19.0540.10 100x105mm |
| G19.0540.04 48x135mm | G19.0540.11 100x120mm |
| G19.0540.05 48x155mm | G19.0540.12 100x155mm |
| G19.0540.06 80x105mm | G19.0540.13 150x150mm |
| G19.0540.07 80x120mm |                       |



**ROCHARD**  
G19.0546.00



**ROCHARD**  
G19.0548.00

G19.0548.00 **G19-031**







[www.gsi-medical.de](http://www.gsi-medical.de)